

## MATERIAL SPECIFICATION SHEET



### Copper Press Valves

- Available in 1/2" through 4"
- Lead Free Brass
- PRESS Conforms to IAPMO/ANSI/CAN Z1117
- Blow Out Proof Stem Design
- Handle with Vinyl Grip

### Performance Rating

- Valve Pressure Rating 250 psi Non-shock Cold Working Pressure
- Max Working Temperature 250 °F (121 °C )

### Certification

- IAPMO/ANSI Z1157
- ASME A112.4.14/CSA B125.14
- NSF/ANSI/CAN 61
- NSF/ANSI/CAN 372



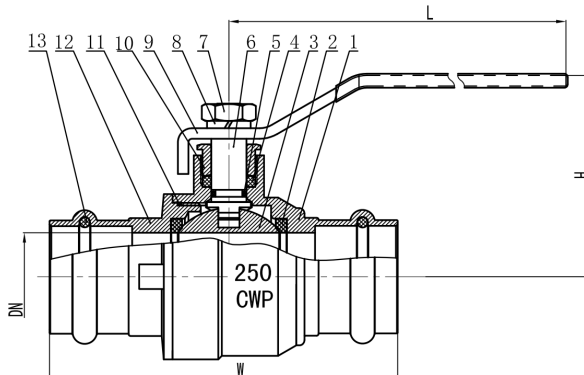
NSF/ANSI 61  
NSF/ANSI 372

Press x Press Ball Valve | Part # | Size

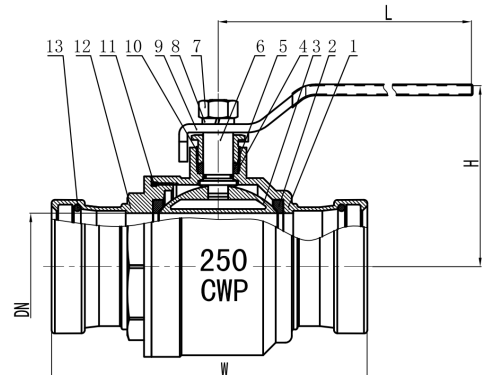
Part #	Size (Inches)	DN (mm)	W (mm)	H (mm)	L (mm)
100261005	1/2"	15	82	46	88
100261007	3/4"	19	92.5	53.2	109
100261010	1"	25	100.5	57.2	109
100261012	1-1/4"	32	113.5	64.2	143
100261015	1-1/2"	40	137	69.7	143
100261020	2"	49.3	165	77.2	155
100261025	2-1/2"	64	189.5	108	197
100261030	3"	73.5	207.5	116.5	208
100261040	4"	97.5	251	139.5	223



1/2" – 2"



2-1/2" – 4"



## MATERIAL SPECIFICATION SHEET

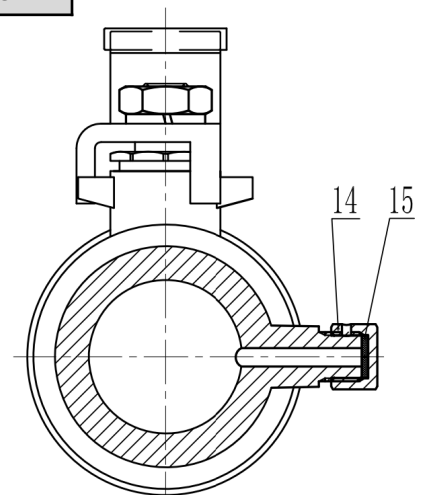
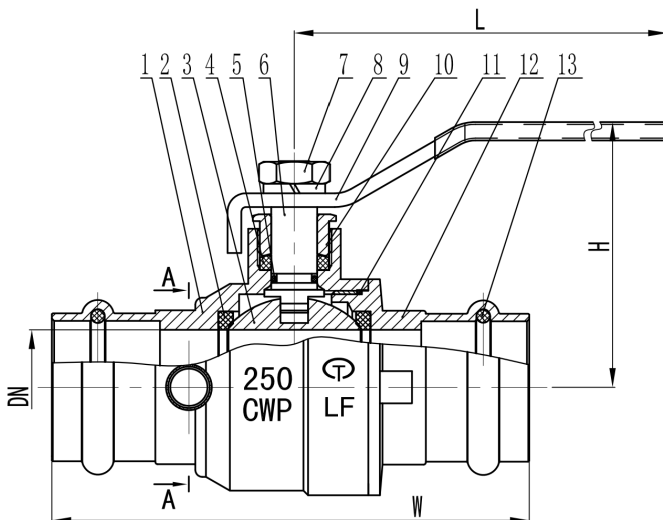


### Material List

NO.	Name	Material	Qty
1	Body	Lead Free Brass	1
2	Seat	PTFE	2
3	Ball	Stainless Steel	1
4	Packing	PTFE	1
5	O-Ring	NBR	1
6	Stem	Brass (1/2" - 2") / Stainless Steel (2-1/2" - 4)	1
7	Handle Nut	Plated Steel	1
8	Lock Washer	Plated Steel	1
9	Handle	Plated Steel	1
10	Packing Nut	Brass	1
11	O-Ring	NBR	1
12	Cap	Lead Free Brass	1
13	O-Ring	EPDM	2

### Press x Press Ball Valve with Drain | Part # | Size

Part #	Size (Inches)	DN (mm)	W (mm)	L (mm)	H (mm)
100268005	1/2"	15	85	88	46
100268007	3/4"	19	95.5	109	53.2
100268010	1"	25	134.5	109	57.2



A-A Section View

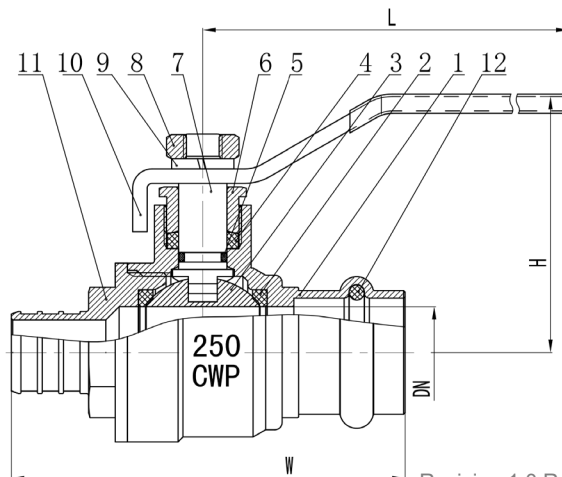
## MATERIAL SPECIFICATION SHEET

### Material List

NO	Name	Material	Qty
1	Body	Lead Free Brass	1
2	Seat	PTFE	2
3	Ball	Stainless Steel	1
4	Packing	PTFE	1
5	O-Ring	NBR	1
6	Stem	Brass	1
7	Handle Nut	Plated Steel	1
8	Lock Washer	Plated Steel	1
9	Handle	Plated Steel	1
10	Packing Nut	Brass	1
11	O-Ring	NBR	1
12	Cap	Lead Free Brass	1
13	O-Ring	EPDM	2
14	Screw	Brass	1
15	Gasket	EPDM	1

### Press x PEX Ball Valve | Part # | Size

Part #	Size (Inches)	DN (mm)	W (mm)	L (mm)	H (mm)
100270005	1/2"	15	73.5	88	46
100270007	3/4"	19	81.5	109	53.2
100270010	1"	25	94	109	57.2



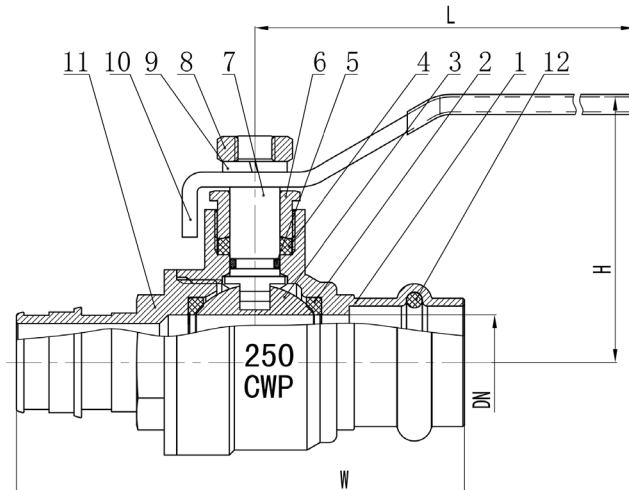
## MATERIAL SPECIFICATION SHEET

### Material List

NO.	Name	Material	Qty
1	Body	Lead Free Brass	1
2	Seat	PTFE	2
3	Ball	Stainless Steel	1
4	Packing	PTFE	1
5	O-Ring	NBR	1
6	Packing Nut	Brass	1
7	Stem	Brass	1
8	Handle Nut	Plated Steel	1
9	Lock Washer	Plated Steel	1
10	Handle	Plated Steel	1
11	Cap	Lead Free Brass	1
12	O-Ring	EPDM	1

### Press x Cold Expansion PEX | Part # | Size

Part #	Size (Inches)	DN (mm)	W (mm)	L (mm)	H (mm)
100271005	½"	15	76	88	46
100271007	¾"	19	90.5	109	53.2
100271010	1"	25	104.5	109	57.2



## MATERIAL SPECIFICATION SHEET

### Material List

NO.	Name	Material	Qty
1	Body	Lead Free Brass	1
2	Seat	PTFE	2
3	Ball	Stainless Steel	1
4	Packing	PTFE	1
5	O-Ring	NBR	1
6	Packing Nut	Brass	1
7	Stem	Brass	1
8	Handle Nut	Plated Steel	1
9	Lock Washer	Plated Steel	1
10	Handle	Plated Steel	1
11	Cap	Lead Free Brass	1
12	O-Ring	EPDM	1