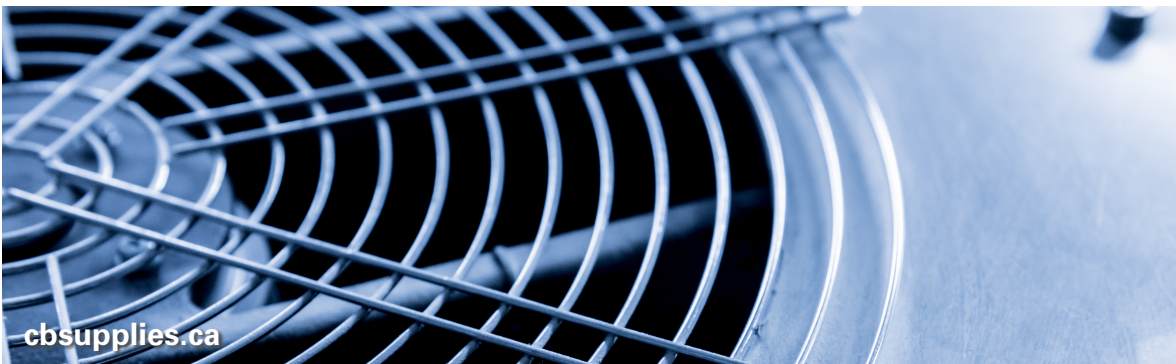




# Fiche de données des dimensions des raccords ACR

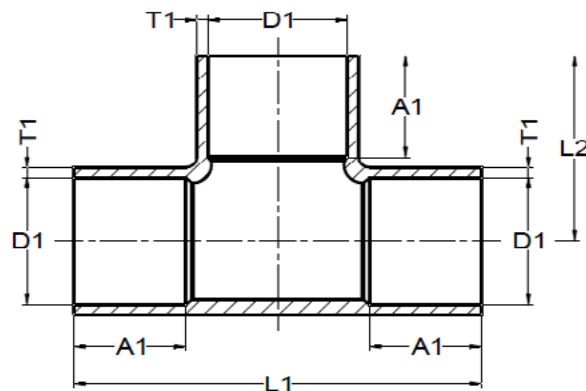


## Table des matières

Pour vous rendre à une section en particulier, cliquez sur les lignes ci-dessous.

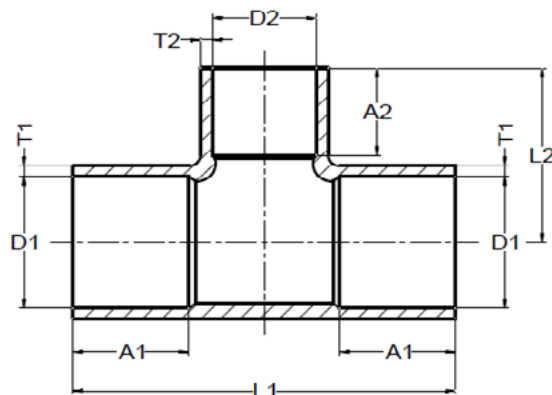
Té C x C x C	3
Té réduit C x C x C - 1	4
Coude 90° à long rayon – Femelle x C	10
Coude 90° à long rayon – C x C	11
Coude 90° à rayon intermédiaire – C x C	12
Coude 90° à rayon intermédiaire – Femelle x C	13
Coude de réduction 90° à court rayon – C x C	14
Coude 45° – Femelle x C	15
Coude 45° – C x C	16
Raccord en U – C x C	17
Manchon sans arrêt – C x C	18
Manchon avec arrêt – C x C	19
Manchon réduit – C x C-1	20
Raccord réduit – Femelle x C - 1	22
Adaptateur – C x Femelle - 1	24
Adaptateur – C x Mâle - 1	26
Adaptateur – Femelle x MIP	28
Adaptateur – Femelle x FIP	29
Capuchon	30
Siphon en P – C x C	31
Attache en cuivre	32
Union – C x C	33

## Té C x C x C



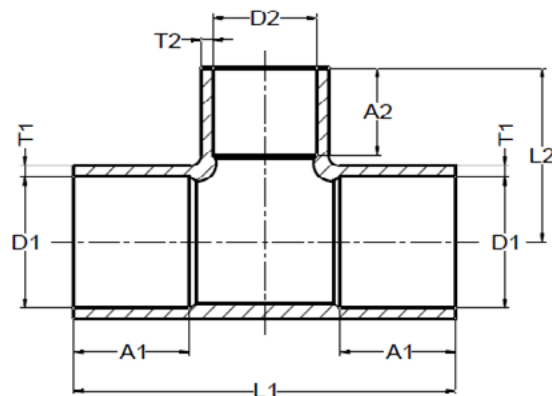
No d'article	diamètre extérieur (po)	D1 (mm)	T1 (Min.) (mm)	A1 (Min.) (mm)	L1 (mm)	L2 (mm)	Poids net approx (g)
110601000	1/4	6.40-6.64	0.48	6.40	23.8-25.8	11.0-13.5	7.00
110601003	5/16	7.99-8.23	0.58	7.90	24.5-26.5	12.5-14.5	8.50
110601002	3/8	9.58-9.82	0.48	7.90	25.7-27.3	14.5-16.5	9.00
110601004	1/2	12.75-13.03	0.48	9.70	31.5-33.5	18.0-20.0	15.00
110601005	5/8	15.93-16.21	0.55	12.70	40.8-42.8	21.0-23.0	26.00
110601006	3/4	19.10-19.38	0.62	15.70	49.5-51.5	26.5-29.0	40.00
110601007	7/8	22.28-22.64	0.68	19.10	60.7-62.7	32.5-34.5	68.00
110601010	1 1/8	28.65-29.04	0.82	23.10	77.3-79.3	40.0-42.0	126.00
110601012	1 3/8	35.00-35.43	0.85	24.60	86.5-88.5	45.5-47.5	169.00
110601015	1 5/8	41.35-41.81	1.10	27.70	97.0-100.5	52.0-54.0	266.00
110601020	2 1/8	54.05-54.53	1.22	34.00	125.0-128.0	66.0-68.0	494.50
110601025	2 5/8	66.75-67.35	1.35	37.30	146.0-150.0	77.0-79.0	711.50
110601030	3 1/8	79.45-80.15	1.55	42.20	168.0-172.0	90.5-92.5	1154.50
110601035	3 5/8	92.15-92.90	2.10	48.50	193.0-195.0	105.5-107.5	2013.00
110601040	4 1/8	104.85-105.65	1.75	54.90	218.5-220.5	118.0-120.0	2382.00

## Té réduit C x C x C - 1



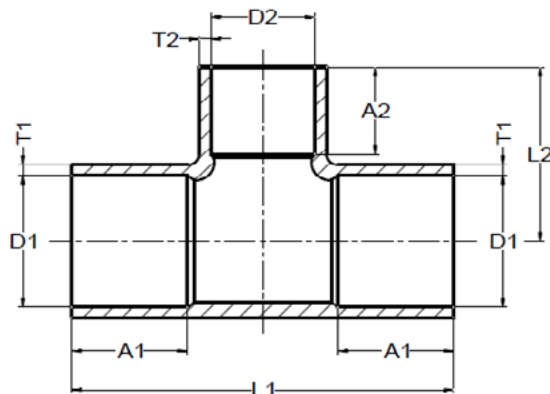
No d'article	diamètre extérieur (po)	D1 (mm)	D2 (mm)	T1 (Min.) (mm)	T2 (Min.) (mm)	A1 (Min.) (mm)	A2 (Min.) (mm)	L1 (mm)	L2 (mm)	Poids net approx (g)
110601031	1/4 x 3/8	6.40-6.64	9.58-9.82	0.70	0.80	6.40	7.90	35.5-37.5	16.0-17.5	16.00
110601032	3/8 x 1/4	9.58-9.82	6.40-6.64	0.60	0.50	7.90	6.40	29.5-31.5	18.0-20.0	12.80
110601034	3/8 x 1/2	9.58-9.82	12.75-13.03	0.80	0.85	7.90	9.70	44.0-46.0	20.0-21.5	23.50
110601056	3/8 x 5/8	9.58-9.83	15.93-16.21	0.80	0.85	7.90	12.70	52.0-54.0	27.5-29.0	41.50
110601073	1/2 x 1/4	12.75-13.03	6.40-6.64	0.66	0.50	9.70	6.40	29.5-31.5	22.5-24.5	17.50
110601074	1/2 x 3/8	12.75-13.03	9.58-9.82	0.85	0.80	9.70	7.90	30.0-32.0	15.5-17.5	18.00
110601059	1/2 x 5/8	12.75-13.03	15.93-16.21	0.85	0.85	9.70	12.70	37.0-39.0	22.0-23.5	28.00
110601070	5/8 x 1/4	15.93-16.21	6.40-6.64	1.00	0.85	12.70	6.40	36.0-38.0	16.5-18.5	26.30
110601072	5/8 x 3/8	15.93-16.21	9.58-9.82	0.95	0.85	12.70	7.90	36.0-38.0	17.5-19.0	27.00
110601075	5/8 x 1/2	15.93-16.21	12.75-13.03	0.95	0.75	12.70	9.70	40.0-42.5	21.0-23.0	30.80
110601076	5/8 x 7/8	15.93-16.21	22.28-22.64	0.85	0.95	12.70	19.10	49.5-50.5	31.0-33.0	72.00
110601099	3/4 x 3/8	19.10-19.38	9.58-9.82	0.90	0.80	15.70	7.90	43.0-45.0	20.0-22.0	34.50
110601080	3/4 x 1/2	19.10-19.38	12.75-13.03	1.20	0.90	15.70	9.70	50.0-52.0	21.0-23.0	56.00
110601085	3/4 x 5/8	19.10-19.38	15.93-16.21	0.90	0.85	15.70	12.70	48.0-51.0	24.5-26.5	42.50
110601084	3/4 x 7/8	19.10-19.38	22.28-22.64	0.75	0.80	15.70	19.10	53.5-56.5	34.0-36.0	58.50
110601094	7/8 x 3/8	22.28-22.64	9.58-9.82	1.20	0.75	19.10	7.90	53.0-55.0	21.0-23.0	61.60
110601095	7/8 x 1/2	22.28-22.64	12.75-13.03	1.20	0.90	19.10	9.70	52.5-54.0	23.0-25.0	61.90
110601096	7/8 x 5/8	22.28-22.64	15.93-16.21	1.10	0.80	19.10	12.70	55.0-57.5	27.0-29.0	61.90
110601102	7/8 x 3/4	22.28-22.64	19.10-19.38	0.95	0.90	19.10	15.70	58.0-61.0	28.5-30.0	68.00
110601104	7/8 x 1 1/8	22.28-22.64	28.65-29.04	0.95	1.15	19.10	23.10	71.0-73.0	38.0-39.5	141.50

## Té réduit C x C x C - 2



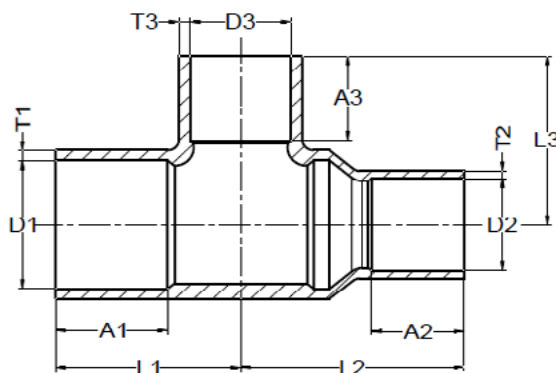
No d'article	diamètre extérieur (po)	D1 (mm)	D2 (mm)	T1 (Min.) (mm)	T2 (Min.) (mm)	A1 (Min.) (mm)	A2 (Min.) (mm)	L1 (mm)	L2 (mm)	Poids net approx (g)
110601129	1 1/8 x 1/2	28.65-29.04	12.75-13.03	1.15	0.85	23.10	9.70	67.0-69.0	26.5-28.5	109.00
110601130	1 1/8 x 5/8	28.65-29.04	15.93-16.21	1.15	0.85	23.10	12.70	66.5-68.5	29.5-31.0	116.00
110601133	1 1/8 x 3/4	28.65-29.04	19.10-19.38	1.15	0.90	23.10	15.70	66.0-69.0	32.5-34.0	116.50
110601131	1 1/8 x 7/8	28.65-29.04	22.28-22.64	1.15	0.95	23.10	19.10	70.5-72.5	36.5-38.5	128.00
110601132	1 1/8 x 1 3/8	28.65-29.04	35.00-35.43	0.95	1.05	23.10	24.60	83.0-85.0	46.0-48.0	192.50
110601134	1 1/8 x 1 5/8	28.65-29.04	41.35-41.81	1.12	1.40	23.10	27.70	119.5-121.5	59.0-61.0	168.00
110601165	1 3/8 x 1/2	35.00-35.42	12.75-13.03	1.30	0.85	24.60	9.70	69.5-71.5	31.5-33.5	149.50
110601166	1 3/8 x 5/8	35.00-35.43	15.93-16.21	1.30	0.85	24.60	12.70	68.0-70.0	33.5-35.5	146.00
110601167	1 3/8 x 7/8	35.00-35.43	22.28-22.64	1.30	0.95	24.60	19.10	74.0-76.0	49.5-51.5	174.00
110601168	1 3/8 x 1 1/8	35.00-35.43	28.65-29.04	1.30	1.10	24.60	23.10	81.0-83.0	44.5-46.5	190.00
110601169	1 3/8 x 1 5/8	35.00-35.43	41.35-41.81	1.30	1.45	24.60	27.70	114.0-116.0	53.5-55.5	358.50
110601170	1 3/8 x 2 1/8	35.00-35.43	54.05-54.53	1.05	1.20	24.60	34.00	142.0-145.0	75.5-77.0	561.00
110601211	1 5/8 x 1/2	41.35-41.81	12.75-13.03	1.30	0.66	27.70	9.70	73.0-75.0	34.0-36.0	177.00
110601212	1 5/8 x 5/8	41.35-41.81	15.93-16.21	1.30	0.74	27.70	12.70	73.5-76.0	37.0-39.0	180.00
110601213	1 5/8 x 7/8	41.35-41.81	22.28-22.64	1.60	1.40	27.70	19.10	80.0-83.0	43.5-45.5	255.50
110601214	1 5/8 x 1 1/8	41.35-41.81	28.65-29.04	1.45	1.20	27.70	23.10	87.0-89.0	47.5-49.0	286.00
110601215	1 5/8 x 1 3/8	41.35-41.81	35.00-35.43	1.45	1.30	27.70	24.60	93.5-95.5	49.0-51.0	309.50
110601216	1 5/8 x 2 1/8	41.35-41.81	54.05-54.53	1.45	1.65	27.70	34.00	139.5-141.5	71.0-72.5	720.00
110601249	2 1/8 x 1/2	54.05-54.53	12.75-13.03	1.65	0.85	34.00	9.70	87.0-89.0	44.0-45.5	362.00
110601250	2 1/8 x 5/8	54.05-54.53	15.93-16.21	1.50	0.74	34.00	12.70	89.0-91.0	43.0-45.0	300.00

### Té réduit C x C x C - 3



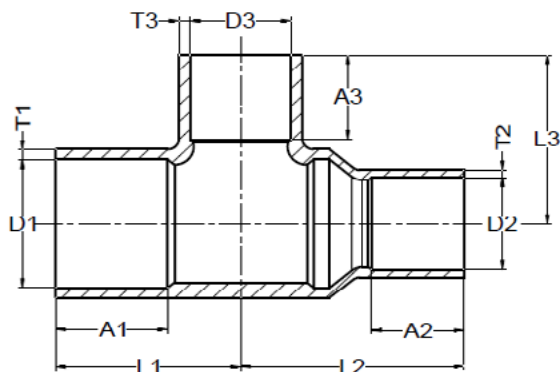
No d'article	diamètre extérieur (po)	D1 (mm)	D2 (mm)	T1 (Min.) (mm)	T2 (Min.) (mm)	A1 (Min.) (mm)	A2 (Min.) (mm)	L1 (mm)	L2 (mm)	Poids net approx (g)
110601251	2 1/8 x 7/8	54.05-54.53	22.28-22.64	1.65	0.95	34.00	19.10	95.0-97.0	48.5-50.5	427.00
110601252	2 1/8 x 1 1/8	54.05-54.53	28.65-29.04	1.65	1.15	34.00	23.10	99.0-101.5	56.5-58.0	473.00
110601253	2 1/8 x 1 3/8	54.05-54.53	35.00-35.43	1.65	1.30	34.00	24.60	105.5-107.5	57.5-59.0	509.50
110601254	2 1/8 x 1 5/8	54.05-54.53	41.35-41.81	1.65	1.45	34.00	27.70	112.0-124.0	59.5-61.0	549.50
110601255	2 1/8 x 2 5/8	54.05-54.53	66.75-67.35	1.60	1.80	34.00	37.30	185.5-187.5	88.5-91.0	980.50
110601288	2 5/8 x 7/8	66.75-67.35	22.28-22.64	1.70	0.84	37.30	19.10	102.0-105.0	55.5-59.0	497.00
110601289	2 5/8 x 1 1/8	66.75-67.35	28.65-29.04	1.95	1.15	37.30	23.10	110.5-112.5	63.0-65.0	545.50
110601290	2 5/8 x 1 3/8	66.75-67.35	35.00-35.43	1.95	1.30	37.30	24.60	110.0-112.5	61.5-63.5	930.00
110601291	2 5/8 x 1 5/8	66.75-67.35	41.35-41.81	1.95	1.45	37.30	27.70	119.0-122.0	66.0-68.0	956.00
110601292	2 5/8 x 2 1/8	66.75-67.35	54.05-54.53	1.95	1.65	37.30	34.00	134.0-136.0	78.5-80.5	1060.00
110601334	3 1/8 x 7/8	79.45-80.15	22.28-22.64	1.90	0.84	42.20	19.10	118.0-120.0	76.5-79.0	663.50
110601335	3 1/8 x 1 1/8	79.45-80.15	28.65-29.04	1.75	1.02	42.20	23.10	118.0-121.0	72.0-74.5	795.00
110601336	3 1/8 x 1 3/8	79.45-80.15	35.00-35.43	2.20	1.30	42.20	24.60	123.5-125.5	70.5-72.5	1069.00
110601337	3 1/8 x 1 5/8	79.45-80.15	41.35-41.81	1.90	1.30	42.20	27.70	127.5-131.0	74.0-76.0	868.50
110601338	3 1/8 x 2 1/8	79.45-80.15	54.05-54.53	2.20	1.65	42.20	34.00	147.0-150.0	80.0-82.0	1289.50
110601339	3 1/8 x 2 5/8	79.45-80.15	66.75-67.35	1.90	1.50	42.20	37.30	154.0-156.0	83.0-85.0	1027.00
110601420	4 1/8 x 2 1/8	104.85-105.65	54.05-54.53	2.20	1.50	54.90	34.00	167.5-170.0	97.0-99.0	1735.50
110601421	4 1/8 x 2 5/8	104.85-105.65	66.75-67.35	2.20	1.70	54.90	37.30	176.0-181.0	99.5-101.5	2015.00
110601422	4 1/8 x 3 1/8	104.85-105.65	79.45-80.15	2.20	1.80	54.90	42.20	191.5-193.5	103.0-105.0	2004.00

## Té réduit C x C x C - 1



No d'article	diamètre extérieur (po)	D1 (mm)	D2 (mm)	D3 (mm)	T1 (Min.) (mm)	T2 (Min.) (mm)	T3 (Min.) (mm)	A1 (Min.) (mm)	A2 (Min.) (mm)	A3 (Min.) (mm)	L1 (mm)	L2 (mm)	L3 (mm)	Poids net approx (g)
110601026	3/8 x 1/4 x 1/4	9.58-9.82	6.40-6.64	6.40-6.64	0.80	0.70	0.70	7.90	6.40	6.40	13.0-14.5	16.0-17.5	12.0-13.5	12.50
110601029	3/8 x 1/4 x 3/8	9.58-9.82	6.40-6.64	9.58-9.82	0.80	0.70	0.70	7.90	6.40	7.90	13.0-14.5	19.5-21.0	14.5-16.0	15.00
110601065	5/8 x 1/2 x 3/8	15.93-16.21	12.75-13.03	9.58-9.82	0.84	0.66	0.60	12.70	9.70	7.90	20.7-22.7	19.8-21.8	17.6-19.6	30.40
110601066	5/8 x 3/8 x 5/8	15.93-16.21	9.58-9.82	15.93-16.21	0.95	1.25	0.75	12.70	7.90	12.70	20.7-22.7	26.8-28.8	22.5-24.5	38.40
110601068	5/8 x 1/2 x 1/2	15.93-16.21	12.75-13.03	12.75-13.03	1.00	0.90	0.70	12.70	9.70	9.70	21.0-22.5	22.0-23.5	21.0-22.5	33.80
110601069	5/8 x 1/2 x 5/8	15.93-16.21	12.75-13.03	15.93-16.21	0.70	0.62	0.70	12.70	9.70	12.70	20.0-22.0	26.0-28.0	22.0-24.5	27.00
110601071	1/2 x 3/8 x 3/8	12.75-13.03	9.59-9.82	9.59-9.82	0.85	0.80	0.80	9.70	7.90	7.90	15.5-17.0	20.5-22.5	17.0-18.5	20.50
110601079	7/8 x 3/4 x 3/4	22.28-22.64	19.10-19.38	19.10-19.38	0.95	0.90	0.90	19.10	15.70	15.70	30.0-31.5	33.0-35.0	30.0-31.5	67.00
110601081	1/2 x 3/8 x 1/2	12.75-13.03	9.59-9.82	12.75-13.03	0.85	0.80	0.85	9.70	7.90	9.70	15.5-17.0	22.5-24.5	19.0-20.5	21.00
110601086	7/8 x 5/8 x 1/2	22.28-22.64	15.93-16.21	12.75-13.03	0.80	0.70	0.62	19.10	12.70	9.70	30.0-31.5	27.0-29.0	23.0-25.0	50.00
110601090	7/8 x 5/8 x 5/8	22.28-22.64	15.93-16.21	15.93-16.21	0.80	0.64	0.64	19.10	12.70	12.70	30.0-31.5	28.5-31.0	25.5-27.0	55.50
110601091	7/8 x 5/8 x 3/8	22.28-22.64	15.93-16.21	9.58-9.82	0.95	0.85	0.80	19.10	12.70	7.90	30.0-31.5	24.0-25.5	23.0-24.5	50.00
110601092	7/8 x 5/8 x 7/8	22.28-22.64	15.93-16.21	22.28-22.64	0.80	0.70	0.65	19.10	12.70	19.10	30.0-31.5	35.0-37.5	31.5-33.5	68.00
110601097	3/4 x 5/8 x 5/8	19.10-19.38	15.93-16.21	15.93-16.21	0.90	0.85	0.85	15.70	12.70	12.70	25.0-27.0	29.0-31.0	24.0-26.0	45.00
110601119	1 1/8 x 5/8 x 5/8	28.65-29.04	15.93-16.21	15.93-16.21	0.97	0.70	0.70	23.10	12.70	12.70	38.0-40.5	28.5-31.0	30.0-32.5	91.50
110601121	1 1/8 x 5/8 x 7/8	28.67-29.03	15.94-16.21	22.29-22.66	0.97	0.70	0.80	22.10	12.00	18.10	38.0-40.5	33.0-35.5	36.5-38.5	109.50
110601123	1 1/8 x 5/8 x 1 1/8	28.65-29.04	15.93-16.21	28.65-29.04	1.15	0.85	1.15	23.10	12.70	23.10	37.5-39.5	44.5-46.0	46.0-48.0	136.50
110601124	1-1/8 x 7/8 x 5/8	28.65-29.04	22.28-22.64	15.93-16.21	0.97	0.80	0.70	23.10	19.10	12.70	38.0-40.5	33.0-35.0	29.0-31.0	98.00
110601125	1 1/8 x 7/8 x 7/8	28.65-29.04	22.28-22.64	22.28-22.64	1.15	0.95	0.95	23.10	19.10	19.10	37.5-39.5	40.0-41.5	36.0-38.0	131.00

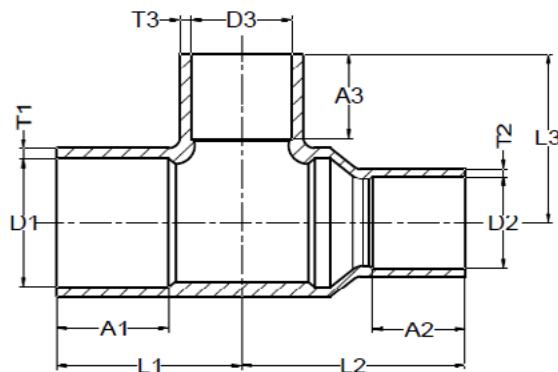
## Té réduit C x C x C - 2



No d'article	diamètre extérieur (po)	D1 (mm)	D2 (mm)	D3 (mm)	T1 (Min.) (mm)	T2 (Min.) (mm)	T3 (Min.) (mm)	A1 (Min.) (mm)	A2 (Min.) (mm)	A3 (Min.) (mm)	L1 (mm)	L2 (mm)	L3 (mm)	Poids net approx (g)
110601126	1 1/8 x 7/8 x 1 1/8	28.65-29.04	22.28-22.64	28.65-29.04	1.15	0.95	1.05	23.10	19.10	23.10	37.5-39.5	46.5-48.5	40.0-42.0	136.00
110601152	1 3/8 x 5/8 x 1 3/8	35.00-35.43	15.93-16.21	35.00-35.43	1.05	0.75	0.80	24.60	12.70	24.60	42.5-45.0	49.5-52.0	62.9-64.9	162.50
110601155	1 3/8 x 7/8 x 7/8	35.00-35.43	22.28-22.64	22.28-22.64	1.30	0.95	0.95	24.60	19.10	19.10	43.5-45.0	40.5-42.0	39.5-41.0	186.50
110601156	1 3/8 x 7/8 x 1 1/8	35.00-35.43	22.28-22.64	28.65-29.04	1.30	0.95	1.15	24.60	19.10	23.10	43.5-45.0	44.0-45.5	43.0-45.0	212.50
110601157	1 3/8 x 7/8 x 1 3/8	35.00-35.43	22.28-22.64	35.00-35.43	1.30	0.95	1.30	24.60	19.10	24.60	43.5-45.0	56.0-57.5	45.0-47.0	255.00
110601159	1 3/8 x 1 1/8 x 5/8	35.00-35.43	28.65-29.04	15.93-16.21	1.30	1.15	0.85	24.60	23.10	12.70	43.5-45.0	34.0-36.0	34.0-36.0	159.50
110601160	1 3/8 x 1 1/8 x 7/8	35.00-35.43	28.65-29.04	22.28-22.64	1.30	1.15	0.95	24.60	23.10	19.10	43.5-45.0	43.0-45.0	39.5-41.5	188.00
110601161	1 3/8 x 1 1/8 x 1 1/8	35.00-35.43	28.65-29.04	28.65-29.04	1.30	1.15	1.15	24.60	23.10	23.10	43.5-45.0	50.5-52.0	44.0-46.0	212.50
110601162	1 3/8 x 1 1/8 x 1 3/8	35.00-35.43	28.65-29.04	35.00-35.43	1.05	1.05	0.95	24.60	23.10	24.60	42.5-45.0	52.0-54.5	45.0-47.5	178.50
110601193	1 5/8 x 5/8 x 1 5/8	41.35-41.81	15.93-16.21	41.35-41.81	1.25	0.70	1.25	27.70	12.70	27.70	48.0-50.5	61.0-63.0	50.5-52.5	267.50
110601195	1 5/8 x 7/8 x 7/8	41.35-41.81	22.28-22.64	22.28-22.64	1.25	0.80	0.80	26.70	19.10	19.10	48.0-50.5	41.5-43.5	42.5-44.5	223.50
110601198	1 5/8 x 7/8 x 1 5/8	41.35-41.81	22.28-22.64	41.35-41.81	1.45	0.95	1.45	27.70	19.10	27.70	49.5-51.0	61.5-63.0	51.0-52.5	380.00
110601200	1-5/8 x 1-1/8 x 7/8	41.35-41.81	28.65-29.04	22.28-22.64	1.25	0.95	0.80	27.70	23.10	19.10	48.0-50.5	43.5-45.5	44.0-46.0	228.00
110601201	1 5/8 x 1 1/8 x 1 1/8	41.35-41.81	28.65-29.04	28.65-29.04	1.45	1.15	1.10	27.70	23.10	23.10	49.2-51.3	48.2-50.2	46.2-48.2	293.60
110601203	1 5/8 x 1 1/8 x 1 5/8	41.35-41.81	28.65-29.04	41.35-41.81	1.50	1.50	1.50	27.70	23.10	27.70	49.0-51.0	62.0-64.0	52.5-54.0	330.50
110601204	1 5/8 x 1 3/8 x 5/8	41.35-41.81	35.00-35.43	15.93-16.21	1.25	1.05	0.70	27.20	24.60	12.70	48.0-50.0	36.5-38.5	37.0-39.0	191.20
110601205	1 5/8 x 1 3/8 x 7/8	41.35-41.81	35.00-35.43	22.28-22.64	1.25	1.05	0.80	27.70	24.60	19.10	48.0-50.5	40.5-42.0	42.5-44.5	227.00
110601206	1 5/8 x 1 3/8 x 1 1/8	41.35-41.81	35.00-35.43	28.65-29.04	1.50	1.30	1.20	27.70	24.60	23.10	49.0-51.0	49.5-51.5	46.7-48.7	301.80
110601207	1 5/8 x 1 3/8 x 1 3/8	41.35-41.81	35.00-35.43	35.00-35.43	1.55	1.20	1.20	27.70	24.60	24.60	49.0-51.0	57.5-59.5	49.0-50.5	321.00

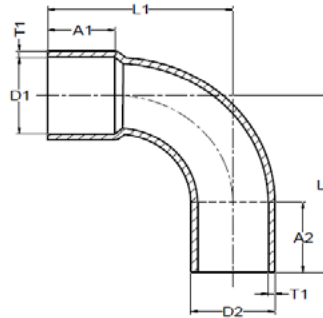


### Té réduit C x C x C - 3



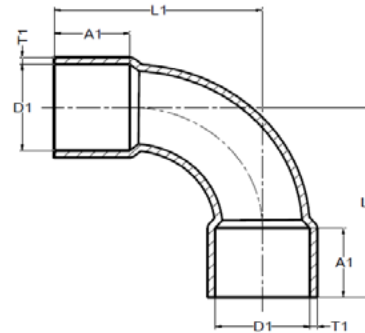
No d'article	diamètre extérieur (po)	D1 (mm)	D2 (mm)	D3 (mm)	T1 (Min.) (mm)	T2 (Min.) (mm)	T3 (Min.) (mm)	A1 (Min.) (mm)	A2 (Min.) (mm)	A3 (Min.) (mm)	L1 (mm)	L2 (mm)	L3 (mm)	Poids net approx (g)
110601208	1-5/8 x 1-3/8 x 1-5/8	41.35-41.81	35.00-35.43	41.35-41.81	1.45	1.30	1.45	27.70	24.60	27.70	49.0-51.0	58.0-60.0	51.0-53.0	360.00
110601227	2 1/8 x 7/8 x 2 1/8	54.05-54.53	22.28-22.64	54.05-54.53	1.45	0.80	1.45	34.00	19.10	34.00	62.5-64.0	76.5-79.0	65.5-68.0	481.00
110601230	2 1/8 x 1 1/8 x 1 1/8	54.05-54.53	28.65-29.04	28.65-29.04	1.45	0.95	0.95	34.00	23.10	23.10	62.5-64.0	49.0-51.5	53.5-56.0	376.50
110601238	2 1/8 x 1 3/8 x 1 3/8	54.05-54.53	35.00-35.43	35.00-35.43	1.45	1.05	1.05	34.00	24.60	24.60	62.5-64.0	53.5-56.0	56.5-58.0	385.50
110601239	2 1/8 x 1 3/8 x 1 5/8	54.05-54.53	35.00-35.43	41.35-41.81	1.50	1.12	1.30	34.00	24.60	27.70	62.0-64.0	63.0-65.0	62.2-64.2	496.20
110601242	2 1/8 x 1 5/8 x 7/8	54.05-54.53	41.35-41.81	22.28-22.64	1.40	1.20	0.80	34.00	27.70	19.10	62.5-64.0	44.5-46.0	48.5-50.0	352.90
110601243	2-1/8 x 1-5/8 x 1-1/8	54.05-54.53	41.35-41.81	28.65-29.04	1.45	1.25	0.95	34.00	27.70	23.10	62.5-64.0	51.0-52.5	55.0-56.5	379.00
110601244	2 1/8 x 1 5/8 x 1 3/8	54.05-54.53	41.35-41.81	35.00-35.43	1.45	1.25	1.05	34.00	27.70	24.60	62.5-64.0	51.5-53.0	57.0-58.5	403.00
110601245	2 1/8 x 1 5/8 x 1 5/8	54.05-54.53	41.35-41.81	41.35-41.81	1.65	1.45	1.45	34.00	27.70	27.70	62.0-64.0	64.5-66.0	61.5-63.0	560.50
110601246	2 1/8 x 1 5/8 x 2 1/8	54.05-54.53	41.35-41.81	54.05-54.53	1.45	1.25	1.25	34.00	27.70	34.00	62.5-64.0	75.0-77.0	65.5-68.0	506.00
110601277	2 5/8 x 1 5/8 x 1 5/8	66.75-67.35	41.35-41.81	41.35-41.81	1.95	1.75	1.45	37.30	27.70	27.70	72.5-74.5	72.0-74.0	70.5-72.5	942.50
110601282	2 5/8 x 2 1/8 x 1 1/8	66.75-67.35	54.05-54.53	28.65-29.04	1.65	1.45	1.10	37.30	34.00	23.10	73.0-75.0	47.5-49.5	60.5-62.0	561.00
110601284	2 5/8 x 2 1/8 x 1 5/8	66.75-67.35	54.05-54.53	41.35-41.81	1.65	1.45	1.25	37.30	34.00	27.70	73.0-75.0	63.0-65.0	65.5-68.0	659.50
110601285	2 5/8 x 2 1/8 x 2 1/8	66.75-67.35	54.05-54.53	54.05-54.53	1.95	1.65	1.65	37.30	34.00	34.00	72.5-74.5	77.5-79.5	76.5-78.5	1045.00
110601286	2 5/8 x 2 1/8 x 2 5/8	66.75-67.35	54.05-54.53	66.75-67.35	1.65	1.45	1.65	37.30	34.00	37.30	73.0-75.0	89.0-91.0	77.5-80.0	806.50
110601324	3 1/8 x 2 1/8 x 2 1/8	79.45-80.15	54.05-54.53	54.05-54.53	2.20	1.65	1.65	42.20	34.00	34.00	84.0-85.5	87.0-88.5	80.0-81.5	1570.00
110601326	3 1/8 x 2 1/8 x 3 1/8	79.45-80.15	54.05-54.53	79.45-80.15	1.85	1.45	1.85	42.20	34.00	42.20	84.0-86.0	104.5-106.5	89.0-91.0	1205.00
110601330	3 1/8 x 2 5/8 x 2 1/8	79.45-80.15	66.75-67.35	54.05-54.53	1.85	1.65	1.45	42.20	37.30	34.00	84.0-86.0	70.5-72.0	81.0-83.0	1019.00
110601331	3-1/8 x 2-5/8 x 2-5/8	79.45-80.15	66.75-67.35	66.75-67.35	1.85	1.65	1.65	42.20	37.30	37.30	84.0-86.0	86.5-89.0	80.5-82.5	1092.50

## Coude 90° à long rayon – Femelle x C



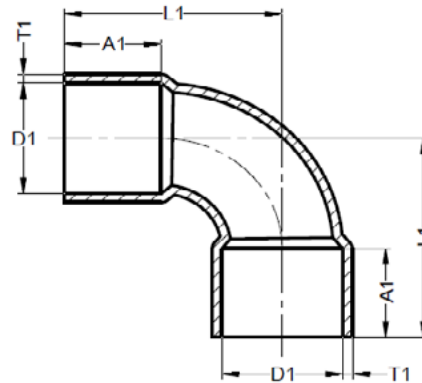
No d'article	diamètre extérieur (po)	D1 (mm)	D2 (mm)	T1 (min.) (mm)	A1 (Min.) (mm)	A2 (Min.) (mm)	L1 (mm)	L2 (mm)	Poids net approx (g)
110610002	3/8	9.58-9.82	9.31-9.55	1.15	7.9	9.7	25.0-27.0	27.5-29.0	15.30
110610004	1/2	12.75-13.03	12.45-12.73	1	9.7	11.2	27.0-29.0	29.0-31.0	20.50
110610005	5/8	15.93-16.21	15.62-15.90	0.81	12.7	14.2	32.5-34.0	34.5-36.5	24.50
110610006	3/4	19.10-19.38	18.80-19.08	0.9	15.7	17.5	42.5-44.5	45.0-47.0	46.50
110610007	7/8	22.28-22.64	21.89-22.25	1.45	19.1	20.6	47.5-49.0	49.5-51.0	87.70
110610010	1 1/8	28.65-29.04	28.24-28.63	1.15	23.1	24.6	59.0-61.0	61.5-63.5	117.30
110610012	1 3/8	35.00-35.43	34.55-34.98	1.3	24.6	26.2	70.5-72.0	72.5-74.5	181.50
110610015	1 5/8	41.35-41.81	40.87-41.33	1.38	27.7	29.5	83.0-85.0	86.5-88.0	261.50
110610020	2 1/8	54.05-54.53	53.55-54.03	1.65	34	35.8	105.5-107.5	109.5-111.0	530.90
110610025	2 5/8	66.75-67.35	66.13-66.73	1.95	37.3	38.9	128.5-130.0	131.0-133.0	879.50
110610030	3 1/8	79.45-80.15	78.73-79.43	2.2	42.2	43.7	157.5-159.5	159.0-160.5	1454.00
110610035	3 5/8	92.15-92.90	91.38-92.13	2.35	48.5	50	170.5-172.0	174.5-176.0	1815.00
110610040	4 1/8	104.85-105.65	104.03-104.83	2.8	54.9	54.6	202.0-204.0	205.0-207.0	3100.00

## Coude 90° à long rayon – C x C



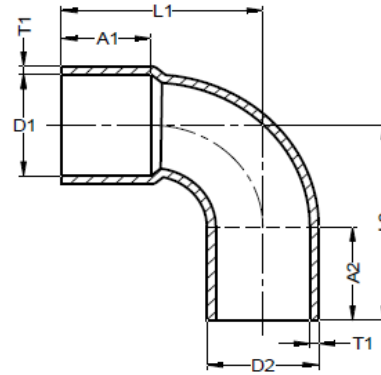
No d'article	diamètre extérieur (po)	D1 (mm)	T1 (Min.) (mm)	A1 (Min.) (mm)	L1 (mm)	Poids net approx (g)
110611000	1/4	6.40-6.64	0.70	6.40	18.0-20.0	6.50
110611003	5/16	7.99-8.23	0.66	7.90	21.5-23.5	9.00
110611002	3/8	9.58-9.82	1.30	7.90	27.0-28.5	21.00
110611004	1/2	12.75-13.03	1.00	9.70	28.5-30.0	20.40
110611005	5/8	15.93-16.21	1.00	12.70	35.0-38.5	35.80
110611006	3/4	19.10-19.38	0.90	15.70	49.0-50.0	46.50
110611007	7/8	22.28-22.64	1.40	19.10	49.0-51.0	87.70
110611010	1 1/8	28.65-29.04	1.65	23.10	61.0-63.0	159.40
110611012	1 3/8	35.00-35.43	1.30	24.60	72.0-74.0	179.00
110611015	1 5/8	41.35-41.81	1.32	27.70	84.5-86.5	255.00
110611020	2 1/8	54.05-54.53	1.65	34.00	108.0-109.5	534.00
110611025	2 5/8	66.75-67.35	1.80	37.30	164.7-167.7	853.80
110611030	3 1/8	79.45-80.15	2.20	42.20	159.0-161.0	1469.00
110611035	3 5/8	92.15-92.90	2.35	48.50	172.5-174.5	1808.00
110611040	4 1/8	104.85-105.65	2.60	54.90	258.5-262.5	3070.00

## Coude 90° à rayon intermédiaire – C x C



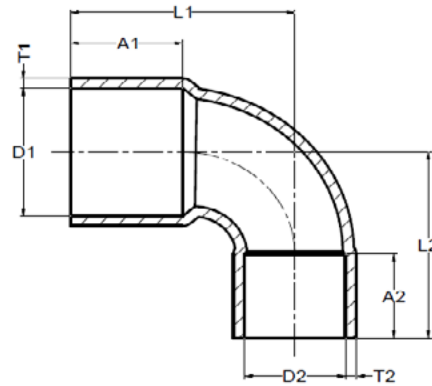
No d'article	diamètre extérieur (po)	D1 (mm)	T1 (Min.) (mm)	A1 (Min.) (mm)	L1 (mm)	Poids net approx (g)
110606000	1/4	6.40-6.64	0.68	6.40	15.5-18.0	5.60
110606002	3/8	9.58-9.82	1.35	7.90	17.0-19.0	16.40
110606004	1/2	12.75-13.03	0.80	9.70	22.0-24.0	15.60
110606005	5/8	15.93-16.21	1.45	12.70	28.0-30.0	43.20
110606006	3/4	19.10-19.38	0.85	15.70	37.5-39.5	40.10
110606007	7/8	22.28-22.64	0.90	19.10	39.5-42.0	53.50
110606010	1 1/8	28.65-29.04	1.24	23.10	50.5-52.5	100.20
110606012	1 3/8	35.00-35.43	1.40	24.60	52.5-54.5	158.80
110606015	1 5/8	41.35-41.81	1.33	27.70	58.0-60.0	208.50
110606020	2 1/8	54.05-54.53	1.50	34.00	72.5-75.0	361.50
110606025	2 5/8	66.75-67.35	1.70	37.30	84.0-86.0	577.00
110606030	3 1/8	79.45-80.15	1.15	42.20	97.0-99.0	855.50
110606040	4 1/8	104.85-105.65	2.70	54.90	125.5-127.5	1733.00

## Coude 90° à rayon intermédiaire – Femelle x C



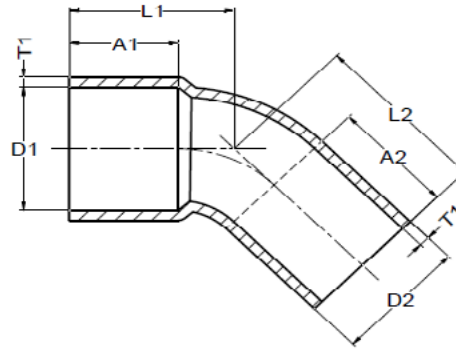
No d'article	diamètre extérieur (po)	D1 (mm)	T1 (Min.) (mm)	T2 (Min.) (mm)	A1 (Min.) (mm)	A2 (Min.) (mm)	L1 (mm)	L2 (mm)	Poids net approx (g)
110609000	1/4	6.40-6.64	6.14-6.38	0.70	6.40	7.90	14.5-17.0	18.5-20.5	6.00
110609002	3/8	9.58-9.82	9.31-9.55	1.38	7.90	9.70	15.5-17.5	18.0-19.5	13.00
110609004	1/2	12.75-13.03	12.45-12.73	0.85	9.70	11.20	21.0-23.0	23.0-25.0	15.50
110609005	5/8	15.93-16.21	15.62-15.90	0.84	12.70	14.20	26.5-28.5	28.5-30.5	20.00
110609006	3/4	19.10-19.38	18.80-19.08	0.90	15.70	17.50	35.0-37.0	36.0-38.0	38.70
110609007	7/8	22.28-22.64	21.89-22.25	1.06	19.10	20.60	37.5-40.0	40.0-42.0	53.00
110609010	1 1/8	28.65-29.04	28.24-28.63	1.25	23.10	24.60	48.5-50.0	50.0-52.0	100.30
110609012	1 3/8	35.00-35.43	34.55-34.98	1.50	24.60	26.20	49.0-51.0	54.0-56.0	161.50
110609015	1 5/8	41.35-41.81	40.87-41.33	1.45	27.70	29.50	56.5-58.5	60.5-63.0	210.00
110609020	2 1/8	54.05-54.53	53.55-54.03	1.50	34.00	35.80	76.0-78.0	77.0-79.0	382.50
110609025	2 5/8	66.75-67.35	66.13-66.73	1.76	37.30	38.90	80.5-83.0	83.5-85.0	572.50
110609030	3 1/8	79.45-80.15	78.73-79.43	2.05	42.20	43.70	91.5-94.0	96.0-98.0	807.00
110609040	4 1/8	104.85-105.65	104.03-104.83	2.80	54.90	56.40	120.5-122.5	126.0-128.0	1720.00

## Coude de réduction 90° à court rayon – C x C



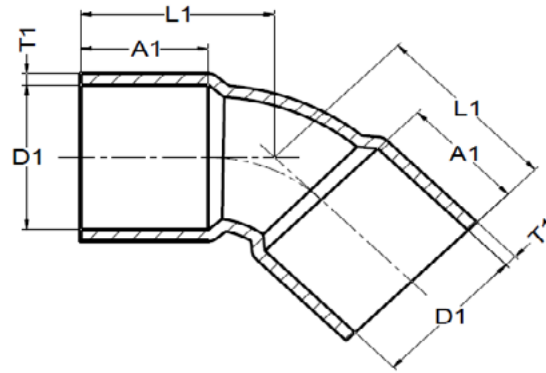
No d'article	diamètre extérieur (po)	D1 (mm)	D2 (mm)	T1 (Min.) (mm)	T2 (Min.) (mm)	A1 (Min.) (mm)	A2 (Min.) (mm)	L1 (mm)	L2 (mm)	Poids net approx (g)
110606085	5/8 x 1/2	15.93-16.21	12.75-13.03	1.40	1.35	12.70	9.70	30.0-32.0	27.0-29.0	33.00
110606131	1 1/8 x 7/8	28.65-29.04	22.28-22.64	1.30	1.30	23.10	19.10	41.5-43.0	42.0-44.0	116.20
110606168	1 3/8 x 1 1/8	35.00-35.43	28.65-29.05	1.40	1.50	24.60	23.10	67.6-69.6	59.0-61.0	159.60

## Coude 45° – Femelle x C



No d'article	diamètre extérieur (po)	D1 (mm)	D2 (mm)	T1 (min.) (mm)	A1 (Min.) (mm)	A2 (Min.) (mm)	L1 (mm)	L2 (mm)	Poids net approx (g)
110618002	3/8	9.58-9.82	9.31-9.55	0.76	7.90	9.70	12.0-13.5	13.5-15.5	6.00
110618004	1/2	12.75-13.03	12.45-12.73	1.00	9.70	11.20	13.0-15.0	16.5-18.5	13.00
110618005	5/8	15.93-16.21	15.62-15.90	0.75	12.70	14.20	19.0-20.5	22.0-23.5	17.00
110618006	3/4	19.10-19.38	18.80-19.08	1.05	15.70	17.50	22.0-23.5	25.5-27.5	29.50
110618007	7/8	22.28-22.64	21.89-22.25	1.00	19.10	20.60	26.5-28.0	30.5-32.0	44.30
110618010	1 1/8	28.65-29.04	28.24-28.63	1.20	23.10	24.60	31.5-33.0	36.0-37.5	77.00
110618012	1 3/8	35.00-35.43	34.55-34.98	1.35	24.60	26.20	36.0-37.5	40.5-42.5	114.50
110618015	1 5/8	41.35-41.81	40.87-41.33	1.45	27.70	29.50	40.5-43.0	45.5-47.5	166.50
110618020	2 1/8	54.05-54.53	53.55-54.03	1.55	34.00	35.80	49.5-52.0	55.5-57.5	280.50
110618025	2 5/8	66.75-67.35	66.13-66.73	1.95	37.30	38.90	59.0-61.5	66.5-68.0	509.00
110618030	3 1/8	79.45-80.15	78.73-79.43	2.20	42.20	43.70	66.0-68.0	72.5-74.5	756.00
110618040	4 1/8	104.85-105.65	104.03-104.83	2.80	54.90	56.40	85.5-87.0	96.0-98.0	1461.00

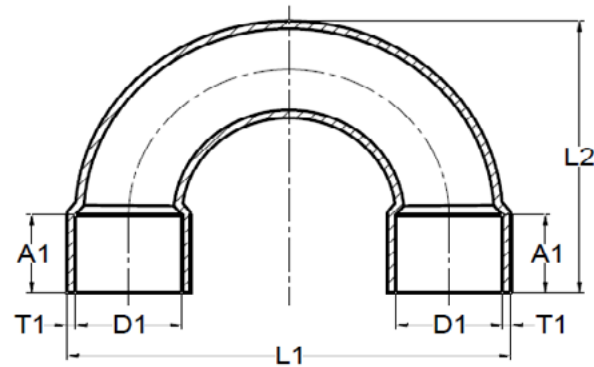
## Coude 45° – C x C



No d'article	diamètre extérieur (po)	D1 (mm)	T1 (Min.) (mm)	A1 (Min.) (mm)	L1 (mm)	Poids net approx (g)
110617000	1/4	6.40-6.64	0.70	6.40	10.5-12.0	4.50
110617002	3/8	9.58-9.82	0.80	7.90	12.5-14.0	6.50
110617004	1/2	12.75-13.03	1.05	9.70	14.5-16.5	13.80
110617005	5/8	15.93-16.21	0.80	12.70	19.0-20.5	16.50
110617006	3/4	19.10-19.38	0.90	15.70	23.0-24.5	29.00
110617007	7/8	22.28-22.64	1.10	19.10	27.5-29.5	43.50
110617010	1 1/8	28.65-29.04	1.20	23.10	35.0-37.0	87.00
110617012	1 3/8	35.00-35.43	1.25	24.60	37.5-39.5	115.50
110617015	1 5/8	41.35-41.81	1.40	27.70	43.5-45.0	170.50
110617020	2 1/8	54.05-54.53	1.50	34.00	51.5-53.5	274.00
110617025	2 5/8	66.75-67.35	1.80	37.30	62.0-63.5	502.00
110617030	3 1/8	79.45-80.15	2.09	42.20	68.0-69.5	739.00
110617040	4 1/8	104.85-105.65	2.50	54.90	85.5-87.5	1397.00

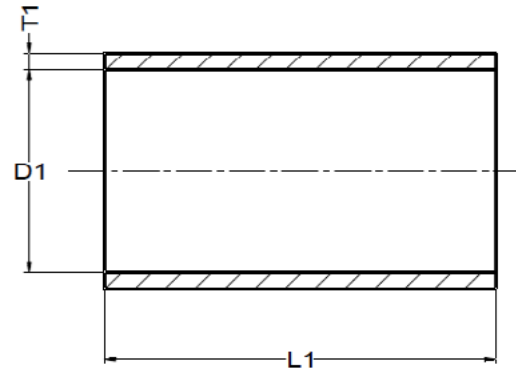


## Raccord en U – C x C



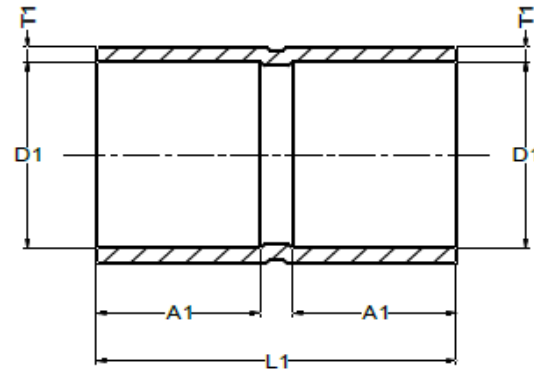
No d'article	diamètre extérieur (po)	D1 (mm)	T1 (Min.) (mm)	A1 (Min.) (mm)	L1 (mm)	L2 (mm)	Poids net approx (g)
110622002	3/8 x 1 1/2	9.58-9.82	0.58	7.90	48.0-50.0	30.0-32.0	15.00
110622205	5/8 x 2 1/2	12.75-13.03	0.85	9.70	51.7-53.7	34.5-36.5	25.40
110622007	7/8 x 2 1/2	22.28-22.64	0.95	19.10	87.0-89.0	60.0-62.0	101.50
110622207	7/8 x 3 1/8	15.93-16.21	0.85	12.70	74.0-76.0	47.5-49.5	46.30
110622010	1 1/8 x 3	28.65-29.04	1.15	23.10	106.0-109.0	73.0-75.5	179.00
110622012	1 3/8 x 4	35.00-35.43	1.10	24.60	132.5-134.5	87.5-89.5	262.00
110622015	1 5/8 x 4 3/8	41.35-41.81	1.40	27.70	156.5-158.5	107.0-109.0	410.00
110622020	2 1/8 x 5 1/2	54.05-54.53	1.65	34.00	196.5-199.5	122.5-124.5	779.50

## Manchon sans arrêt – C x C



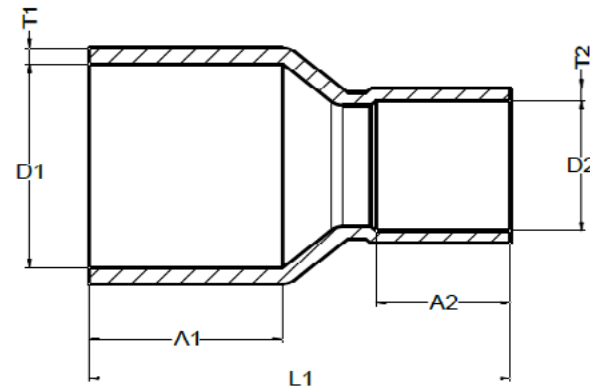
No d'article	diamètre extérieur (po)	D1 (mm)	T1(Min.) (mm)	L1 (mm)	Poids net approx (g)
110628000	1/4	6.40-6.64	0.70	13.0-15.0	2.30
110628002	3/8	9.58-9.82	0.70	18.0-20.0	4.30
110628004	1/2	12.75-13.03	0.85	19.5-21.5	6.50
110628005	5/8	15.93-16.21	0.85	25.5-28.0	10.50
110628006	3/4	19.10-19.38	0.90	31.0-34.0	18.50
110628007	7/8	22.28-22.64	1.40	40.5-43.0	40.00
110628010	1 1/8	28.65-29.04	1.15	46.5-48.5	48.00
110628012	1 3/8	35.00-35.43	1.30	48.5-50.5	65.50
110628015	1 5/8	41.35-41.81	1.45	55.5-58.0	102.00

## Manchon avec arrêt – C x C



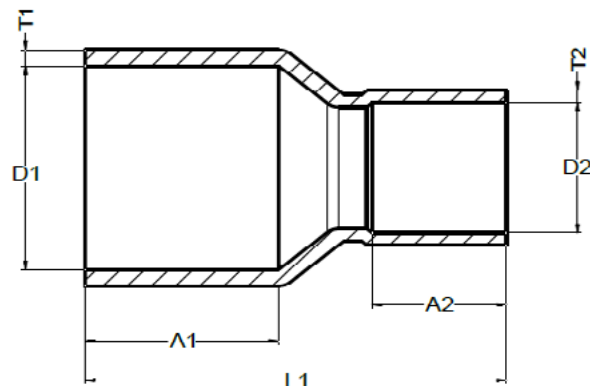
No d'article	diamètre extérieur (po)	D1 (mm)	T1 (min.) (mm)	A1 (Min.) (mm)	L1 (mm)	Poids net approx (g)
110629000	1/4	6.40-6.64	0.70	6.40	15.0-17.0	3.00
110629001	3/16	4.81-4.92	0.65	6.00	16.0-17.0	1.90
110629003	5/16	7.99-8.23	0.80	7.90	17.5-20.0	4.00
110629002	3/8	9.58-9.82	0.74	7.90	17.0-19.5	4.50
110629004	1/2	12.75-13.03	0.76	10.40	21.5-23.5	7.00
110629005	5/8	15.93-16.21	0.85	12.70	26.5-29.5	13.50
110629006	3/4	19.10-19.38	0.90	15.70	33.5-35.5	19.50
110629007	7/8	22.28-22.64	1.30	19.10	40.5-43.0	40.50
110629010	1 1/8	28.65-29.04	1.45	23.10	48.5-51.0	69.50
110629012	1 3/8	35.00-35.43	1.27	24.60	51.0-53.5	71.00
110629015	1 5/8	41.35-41.81	1.41	27.70	58.0-60.0	102.50
110629020	2 1/8	54.05-54.53	1.55	34.00	71.5-73.5	191.50
110629025	2 5/8	66.75-67.35	1.84	37.30	81.5-84.0	320.50
110629030	3 1/8	79.45-80.15	2.00	42.20	92.5-95.0	468.50
110629035	3 5/8	92.15-92.40	2.37	48.50	105.5-107.5	691.50
110629040	4 1/8	104.85-105.65	2.35	54.90	117.5-120.0	888.50

## Manchon réduit – C x C-1



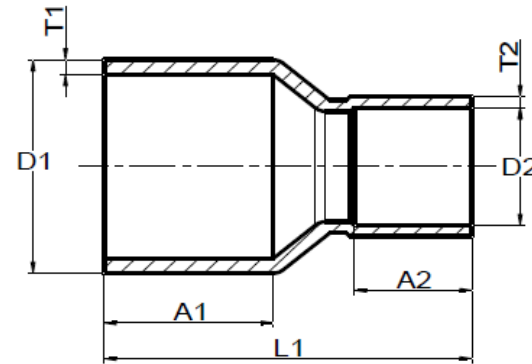
No d'article	diamètre extérieur (po)	D1 (mm)	D2 (mm)	T1 (Min.) (mm)	T2 (Min.) (mm)	A1 (Min.) (mm)	A2 (Min.) (mm)	L1 (mm)	Poids net approx (g)
110629032	3/8 x 5/16	9.58-9.82	7.99-8.23	0.80	0.80	7.90	7.90	19.0-22.0	5.00
110629057	3/8 x 1/4	9.58-9.82	6.40-6.51	0.76	0.67	7.90	6.40	19.0-21.0	4.50
110629060	1/2 x 3/8	12.75-13.03	9.58-9.82	0.75	0.80	9.70	7.90	23.0-25.5	7.50
110629072	1/2 x 1/4	12.75-13.03	6.40-6.64	0.85	0.70	9.70	6.40	23.0-25.0	7.50
110629080	3/4 x 1/2	19.10-19.38	12.75-13.03	0.90	0.85	15.70	9.70	32.5-34.5	19.50
110629081	3/4 x 5/8	19.10-19.38	15.93-16.21	0.90	0.85	15.70	12.70	36.0-38.0	21.00
110629082	3/4 x 3/8	19.10-19.38	9.58-9.82	0.90	0.80	15.70	7.90	34.5-36.5	20.00
110629083	5/8 x 1/4	15.93-16.21	6.40-6.51	0.85	0.70	12.70	6.40	30.5-32.5	14.50
110629084	5/8 x 3/8	15.93-16.21	9.58-9.82	0.85	0.80	12.70	7.90	28.0-30.0	14.00
110629085	5/8 x 1/2	15.93-16.21	12.75-13.03	0.81	0.81	12.70	9.70	28.5-31.0	13.80
110629094	7/8 x 3/8	22.28-22.64	9.58-9.82	1.00	1.00	19.10	7.90	36.5-39.0	26.00
110629095	7/8 x 1/2	22.28-22.64	12.75-13.03	1.10	1.45	19.10	9.70	39.0-41.0	31.00
110629096	7/8 x 5/8	22.28-22.64	15.93-16.21	1.05	1.35	19.10	12.70	39.5-41.5	32.50
110629102	7/8 x 3/4	22.28-22.64	19.10-19.38	1.05	1.20	19.10	15.70	40.5-42.0	32.50
110629104	1 1/8 x 1/2	28.65-29.04	12.75-13.03	1.10	1.10	23.10	9.70	45.7-47.7	47.20
110629105	1 1/8 x 5/8	28.65-29.04	15.93-16.21	1.25	1.15	23.10	12.70	47.0-49.5	51.00
1106291306	1 1/8 x 3/4	28.65-29.04	19.10-19.38	1.25	1.15	23.10	15.70	48.0-50.5	52.00
110629109	1 1/8 x 7/8	28.65-29.04	22.28-22.64	1.25	1.15	23.10	19.10	51.0-53.5	57.00
110629145	1 3/8 x 5/8	35.00-35.43	15.93-16.21	1.40	1.20	24.60	12.70	53.0-55.0	72.10
110629147	1 3/8 x 7/8	35.00-35.43	22.28-22.64	1.35	1.25	24.60	19.10	55.0-58.0	77.00

## Manchon réduit – C x C - 2



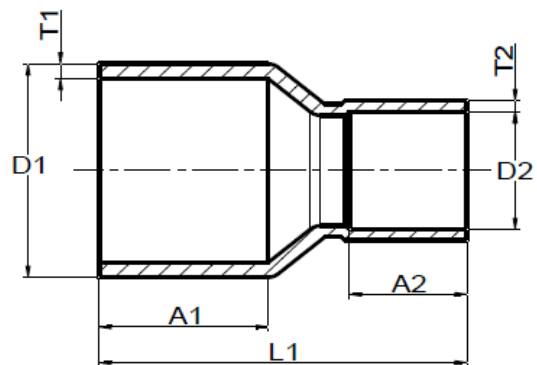
No d'article	diamètre extérieur (po)	D1 (mm)	D2 (mm)	T1 (Min.) (mm)	T2 (Min.) (mm)	A1 (Min.) (mm)	A2 (Min.) (mm)	L1 (mm)	Poids net approx (g)
110629151	1 3/8 x 1 1/8	35.00-35.43	28.65-29.04	1.40	1.25	24.60	23.10	57.5-59.5	83.50
110629155	1 5/8 x 5/8	41.35-41.81	15.93-16.21	1.50	1.35	27.70	12.70	59.0-61.0	98.50
110629157	1 5/8 x 7/8	41.35-41.81	22.28-22.64	1.45	0.95	27.70	19.10	62.0-64.5	100.00
110629161	1 5/8 x 1 1/8	41.35-41.81	28.65-29.04	1.40	1.35	27.70	23.10	63.5-65.5	110.00
110629215	1 5/8 x 1 3/8	41.35-41.81	35.00-35.43	1.40	1.25	27.70	24.60	65.0-67.5	119.00
110629250	2 1/8 x 5/8	54.05-54.53	15.93-16.21	1.65	0.85	34.00	12.70	71.5-73.5	153.50
110629251	2 1/8 x 7/8	54.05-54.53	22.28-22.64	1.55	0.95	34.00	19.10	74.0-76.0	160.50
110629205	2 1/8 x 1 1/8	54.05-54.53	28.65-29.04	1.55	1.15	34.00	23.10	75.5-77.5	168.00
110629252	2 1/8 x 1 3/8	54.05-54.53	35.00-35.43	1.55	1.30	34.00	24.60	74.5-77.0	167.50
110629214	2 1/8 x 1 5/8	54.05-54.53	41.35-41.53	1.60	1.45	34.00	27.70	76.0-78.0	179.70
110629289	2 5/8 x 1 1/8	66.75-67.35	28.65-29.04	1.55	0.95	37.30	23.10	85.5-87.5	217.50
110629290	2 5/8 x 1 3/8	66.75-67.35	35.00-35.43	1.95	1.30	37.30	24.60	84.0-86.0	261.50
110629291	2 5/8 x 1 5/8	66.75-67.35	41.35-41.53	1.95	1.45	37.30	27.70	87.5-89.5	298.00
110629292	2 5/8 x 2 1/8	66.75-67.35	54.05-54.53	1.90	1.65	37.30	34.00	87.0-89.5	301.00
110629337	3 1/8 x 1 5/8	79.45-80.15	41.35-41.53	2.05	1.45	42.20	27.70	97.5-99.5	381.00
110629338	3 1/8 x 2 1/8	79.45-80.15	54.05-54.53	2.00	1.65	42.20	34.00	97.0-99.0	409.00
110629339	3 1/8 x 2 5/8	79.45-80.15	66.75-67.35	1.80	1.95	42.20	37.30	100.5-103.0	457.00
110629341	3 5/8 x 3 1/8	92.15-92.90	79.45-80.15	2.13	1.85	48.50	42.20	107.0-108.5	619.00
110629421	4 1/8 x 2 5/8	104.85-105.65	66.75-67.35	2.80	1.95	54.90	37.30	124.5-126.5	950.00
110629422	4 1/8 x 3 1/8	104.85-105.65	79.45-80.15	2.20	1.90	54.90	42.20	124.0-126.0	808.00

## Raccord réduit – Femelle x C - 1



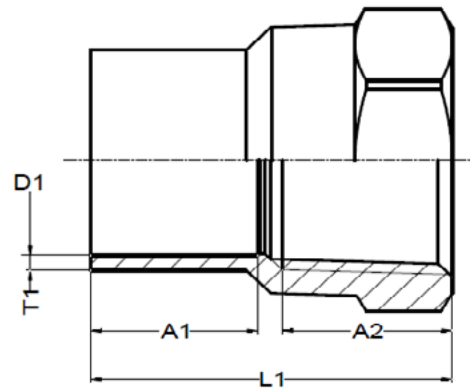
No d'article	diamètre extérieur (po)	D1 (mm)	D2 (mm)	T1 (Min.) (mm)	T2 (Min.) (mm)	A1 (Min.) (mm)	A2 (Min.) (mm)	L1 (mm)	Poids net approx (g)
110637057	3/8 x 1/4	9.31-9.55	6.40-6.64	0.70	0.70	9.70	6.40	20.0-22.0	4.00
110637058	1/2 x 1/4	12.45-12.73	6.40-6.64	0.85	0.70	11.20	6.40	23.8-25.8	6.60
110637074	1/2 x 3/8	12.45-12.73	9.58-9.82	0.81	0.76	11.20	7.90	23.0-25.0	6.50
1106370812	3/4 x 3/8	18.80-19.08	9.58-9.82	0.90	0.80	17.50	7.90	33.0-35.0	17.50
1106370814	3/4 x 1/2	18.80-19.08	12.75-13.03	0.90	0.85	17.50	9.70	35.5-37.5	18.00
110637081	3/4 x 5/8	18.80-19.08	15.93-16.21	0.90	0.85	17.50	12.70	34.5-37.0	18.00
110637084	5/8 x 3/8	15.62-15.90	9.58-9.82	0.85	0.80	14.20	7.90	29.0-31.5	12.50
110637085	5/8 x 1/2	15.62-15.90	12.75-13.03	0.85	0.85	14.20	9.70	30.5-32.5	13.00
110637094	7/8 x 3/8	21.89-22.25	9.58-9.82	1.00	1.10	20.60	7.90	38.5-40.5	25.00
110637095	7/8 x 1/2	21.89-22.25	12.75-13.03	1.10	1.20	20.60	9.70	39.0-41.0	28.00
110637096	7/8 x 5/8	21.89-22.25	15.93-16.21	1.10	1.25	20.60	12.70	40.5-43.0	29.00
110637102	7/8 x 3/4	21.89-22.25	19.10-19.38	1.10	1.10	20.60	15.70	42.0-44.0	30.00
110637103	1 1/8 x 1/2	28.24-28.63	12.75-12.87	1.30	1.25	24.60	9.70	46.0-48.0	43.50
110637104	1 1/8 x 5/8	28.24-28.63	15.93-16.05	1.30	1.30	24.60	12.70	46.0-48.5	45.00
1106371306	1 1/8 x 3/4	28.24-28.63	19.10-19.22	1.30	1.20	24.60	15.70	47.0-49.0	46.50
110637109	1 1/8 x 7/8	28.24-28.63	22.28-22.40	1.30	1.40	24.60	19.10	51.0-53.5	52.00
110637145	1 3/8 x 5/8	34.55-34.98	15.93-16.05	1.50	1.40	26.20	12.70	51.0-53.5	64.00
110637149	1 3/8 x 7/8	34.55-34.98	22.28-22.40	1.40	1.35	26.20	19.10	54.5-57.0	72.00
110637151	1 3/8 x 1 1/8	34.55-34.98	28.65-28.80	1.35	1.20	26.20	23.10	56.0-58.0	76.50
110637155	1 5/8 x 5/8	40.87-41.33	15.93-16.05	1.55	1.50	29.50	12.70	58.5-61.0	90.00
110637157	1 5/8 x 7/8	40.87-41.33	22.28-22.40	1.55	1.25	29.50	19.10	61.0-63.5	97.50

## Raccord réduit – Femelle x C - 2



No d'article	diamètre extérieur (po)	D1 (mm)	D2 (mm)	T1 (Min.) (mm)	T2 (Min.) (mm)	A1 (Min.) (mm)	A2 (Min.) (mm)	L1 (mm)	Poids net approx (g)
110637161	1 5/8 x 1 1/8	40.87-41.33	28.65-28.80	1.30	1.30	29.50	23.10	66.0-68.0	108.50
110637164	1 5/8 x 1 3/8	40.87-41.33	35.00-35.15	1.50	1.30	29.50	24.60	62.0-64.5	108.50
110637205	2 1/8 x 1 1/8	53.55-54.03	28.65-28.80	1.50	1.15	35.80	23.10	77.0-79.0	163.00
110637214	2 1/8 x 1 5/8	53.55-54.03	41.35-41.53	1.55	1.38	35.80	27.70	76.0-78.0	176.50
110637215	2 1/8 x 1 3/8	53.55-54.03	35.00-35.15	1.63	1.30	35.80	24.60	74.5-77.0	169.00
110637250	2 1/8 x 5/8	53.55-54.03	15.93-16.05	1.65	0.85	35.80	12.70	72.0-74.5	148.00
110637251	2 1/8 x 7/8	53.55-54.03	22.28-22.40	1.65	0.95	35.80	19.10	74.0-76.0	151.00
110637289	2 5/8 x 1 5/8	66.13-66.73	41.35-41.53	1.80	1.45	38.90	27.70	84.5-86.5	259.00
110637290	2 5/8 x 1 3/8	66.13-66.73	35.00-35.15	1.95	1.30	38.90	24.60	82.5-84.5	240.00
110637291	2 5/8 x 1 1/8	66.13-66.73	28.65-28.80	1.95	1.15	38.90	23.10	87.0-89.0	246.00
110637292	2 5/8 x 2 1/8	66.13-66.73	54.05-54.25	1.90	1.65	38.90	34.00	87.0-89.0	292.50
110637336	3 1/8 x 1 3/8	78.73-79.43	35.00-35.15	2.20	1.30	43.70	24.60	97.0-99.0	357.00
110637338	3 1/8 x 2 1/8	78.73-79.43	54.05-54.25	2.20	1.65	43.70	34.00	97.5-99.5	402.50
110637339	3 1/8 x 2 5/8	78.73-79.43	66.75-67.00	2.10	1.95	43.70	37.30	96.0-98.0	431.00
110637360	3 5/8 x 2 1/8	91.38-92.13	54.05-54.53	2.30	1.65	50.00	34.00	112.0-114.0	581.70
110637361	3 5/8 x 3 1/8	91.38-92.13	78.73-79.43	2.50	2.20	50.00	42.20	104.0-106.0	597.00
110637362	3 5/8 x 2 5/8	91.38-92.13	66.75-67.35	2.30	1.95	50.00	37.30	103.5-105.5	551.10
110637420	4 1/8 x 2 1/8	104.03-104.83	54.05-54.25	2.80	1.65	56.40	34.00	121.0-123.0	772.00
110637421	4 1/8 x 2 5/8	104.03-104.83	66.75-67.35	2.80	1.95	56.40	37.30	121.0-123.0	930.00
110637422	4 1/8 x 3 1/8	104.03-104.83	79.45-79.70	2.55	2.20	56.40	42.20	119.5-122.5	849.00
110637423	4 1/8 x 3 5/8	104.03-104.83	92.15-92.90	2.80	2.50	56.40	48.50	113.5-115.5	846.00

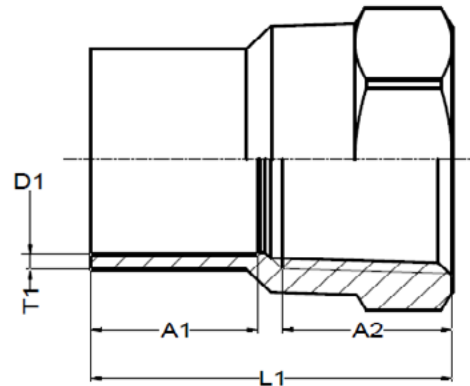
## Adaptateur – C x Femelle - 1



No d'article	diamètre extérieur x Femelle (po)	D1 (mm)	T1 (Min.) (mm)	A1 (Min.) (mm)	A2 (Min.) (mm)	L1 (mm)	Poids net approx (g)
110635027	1/4 x 1/8	6.40-6.64	0.50	6.40	8.00	18.0-20.0	
110635000	1/4 x 1/4	6.40-6.64	0.50	6.40	9.00	19.5-21.0	15.70
110635031	3/8 x 1/8	9.58-9.82	0.60	7.90	8.00	17.5-19.5	9.70
110635057	3/8 x 1/4	9.58-9.69	0.60	7.90	11.00	19.5-21.5	14.00
110635032	3/8 x 3/8	9.58-9.82	0.60	7.90	9.00	21.5-23.5	23.50
110635058	1/2 x 1/4	12.75-13.03	0.65	9.70	9.00	20.5-22.5	12.70
110635060	1/2 x 3/8	12.75-13.03	0.65	9.70	12.50	22.4-24.4	23.00
110635004	1/2 x 1/2	12.75-13.03	0.65	9.70	12.50	29.5-32.5	24.70
110635083	5/8 x 1/4	15.93-16.21	0.70	12.70	11.50	22.0-25.0	18.50
110635084	5/8 x 3/8	15.93-16.21	0.70	12.70	11.00	22.0-25.0	16.00
110635085	5/8 x 1/2	15.93-16.21	0.70	12.70	14.00	27.0-30.0	26.50
110635087	5/8 x 3/4	15.93-16.21	0.70	12.70	16.00	32.0-35.0	50.00
1106350814	3/4 x 1/2	19.10-19.38	0.79	15.70	13.00	29.0-31.0	29.00
110635006	3/4 x 3/4	19.10-19.38	0.79	15.70	15.00	37.0-40.0	45.60
110635095	7/8 x 1/2	22.28-22.64	0.80	19.10	14.00	34.5-37.0	40.50

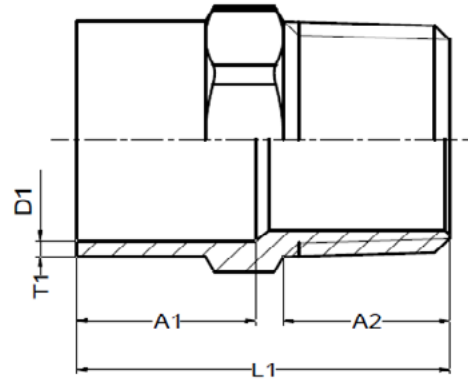


## Adaptateur – C x Femelle - 2



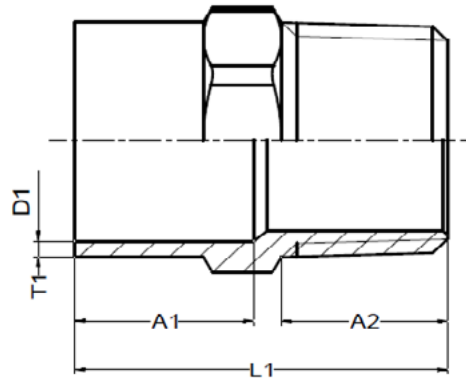
No d'article	diamètre extérieur x Femelle (po)	D1 (mm)	T1 (Min.) (mm)	A1 (Min.) (mm)	A2 (Min.) (mm)	L1 (mm)	Poids net approx (g)
110635102	7/8 x 3/4	22.28-22.64	0.80	19.10	15.00	36.0-39.0	45.50
110635104	7/8 x 1	22.28-22.64	0.80	19.10	18.00	37.5-39.5	92.00
110635130	1 1/8 x 1/2	28.65-29.04	0.90	23.10	13.00	39.2-40.8	71.30
110635106	1 1/8 x 3/4	28.65-29.04	0.95	23.10	16.00	38.0-41.0	66.00
110635137	1 1/8 x 1	28.65-29.04	0.95	23.10	18.00	42.0-46.0	85.50
110635114	1 1/8 x 1 1/4	28.65-29.04	0.95	23.10	23.50	45.0-47.5	123.00
110635168	1 3/8 x 1	35.00-35.43	1.12	24.60	17.00	43.5-44.0	118.60
110635152	1 3/8 x 1 1/4	35.00-35.15	1.05	24.60	20.50	47.0-50.0	122.50
110635169	1 3/8 x 1 1/2	35.00-35.43	1.30	24.60	18.00	53.0-57.0	175.00
110635164	1 5/8 x 1 1/2	41.35-41.53	1.25	27.70	21.50	50.0-54.0	173.00
110635216	1 5/8 x 2	41.35-41.81	1.40	27.70	21.00	65.5-67.0	222.00
110635254	2 1/8 x 1 1/2	54.05-54.53	1.45	34.00	21.00	59.5-61.5	182.00
110635020	2 1/8 x 2	54.05-54.25	1.45	34.00	21.00	58.0-62.0	248.50
110635025	2 5/8 x 2 1/2	66.75-67.35	1.65	37.30	28.00	68.0-68.5	487.00
110635030	3 1/8 x 3	79.45-79.70	1.80	42.20	32.00	81.0-84.0	

## Adaptateur – C x Mâle - 1



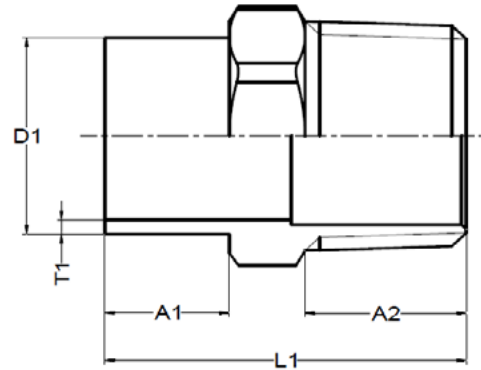
No d'article	diamètre extérieur x Mâle (po)	D1 (mm)	T1 (Min.) (mm)	A1 (Min.) (mm)	A2 (Min.) (mm)	L1 (mm)	Poids net approx (g)
110636057	3/8 x 1/4	9.58-9.82	0.65	7.90	9.00	21.0-23.0	12.00
110636032	3/8 x 3/8	9.58-9.82	0.60	7.90	9.00	26.0-28.0	19.70
110636034	3/8 x 1/2	9.58-9.82	0.60	7.90	12.50	31.2-31.8	30.60
110636058	1/2 x 1/4	12.75-13.03	0.65	9.70	9.00	21.0-23.0	10.20
110636060	1/2 x 3/8	12.75-12.87	0.66	9.70	11.50	23.0-23.5	18.00
110636005	1/2 x 1/2	12.75-13.03	0.65	9.70	12.50	34.5-36.5	29.50
110636083	5/8 x 1/4	15.93-16.21	0.74	12.70	11.50	27.0-27.5	19.00
110636084	5/8 x 3/8	15.93-16.21	0.74	12.70	11.00	25.5-28.0	18.00
110636085	5/8 x 1/2	15.93-16.21	0.74	12.70	14.00	25.0-27.0	27.00
110636087	5/8 x 3/4	15.93-16.21	0.74	12.70	16.00	33.5-36.5	58.50
110636089	5/8 x 1	15.93-16.21	0.74	12.70	18.00	43.0-46.0	86.40
110636101	3/4 x 1/2	19.10-19.38	0.79	15.70	14.00	32.5-33.5	29.50
110636006	3/4 x 3/4	19.10-19.38	0.79	15.70	14.00	30.0-32.0	44.20
110636095	7/8 x 1/2	22.28-22.64	0.84	19.10	14.00	36.5-39.0	41.70
110636102	7/8 x 3/4	22.28-22.64	0.84	19.10	16.00	34.5-36.5	43.50
110636104	7/8 x 1	22.28-22.64	0.84	19.10	18.00	52.5-55.5	75.50
110636130	1 1/8 x 1/2	28.65-29.04	1.00	23.10	13.00	43.0-44.0	83.00

## Adaptateur – C x Mâle - 2



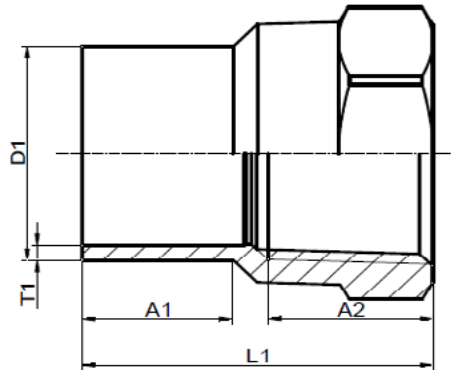
No d'article	diamètre extérieur x Mâle (po)	D1 (mm)	T1 (Min.) (mm)	A1 (Min.) (mm)	A2 (Min.) (mm)	L1 (mm)	Poids net approx (g)
110636107	1 1/8 x 3/4	28.65-29.04	1.02	23.10	16.00	43.0-45.0	74.50
110636112	1 1/8 x 1	28.65-29.04	1.02	23.10	18.00	40.0-42.0	68.50
110636114	1 1/8 x 1 1	28.65-29.04	1.02	23.10	19.00	51.0-53.0	151.00
110636133	1 1/8 x 1 1	28.65-29.04	1.00	23.10	18.00	56.0-59.0	98.00
110636167	1 3/8 x 3/4	35.00-35.43	1.10	24.60	16.00	52.0-55.0	81.70
110636149	1 3/8 x 1	35.00-35.15	1.12	24.60	19.00	46.5-48.0	90.00
110636152	1 3/8 x 1 1/4	35.00-35.15	1.12	24.60	18.50	41.5-44.5	119.00
110636153	1 3/8 x 1 1/2	35.00-35.43	1.10	24.60	19.00	53.0-56.0	160.70
110636161	1 5/8 x 1	41.35-41.81	1.30	27.70	18.00	53.5-55.5	127.80
110636163	1 5/8 x 1 1/4	41.35-41.81	1.25	27.70	17.00	49.0-51.0	116.70
110636164	1 5/8 x 1 1/2	41.35-41.53	1.30	27.70	21.00	48.0-51.0	154.00
110636165	1 5/8 x 2	41.35-41.81	1.30	27.70	19.00	62.5-65.5	264.40
110636253	2 1/8 x 1 1/4	54.05-54.53	1.50	34.00	18.00	61.0-63.5	210.00
110636020	2 1/8 x 2	54.05-54.25	1.50	34.00	21.00	55.5-58.0	212.50
110636025	2 5/8 x 2 1/2	66.75-67.00	1.70	37.30	28.60	68.5-70.5	385.00
110636030	3 1/8 x 3	79.45-79.7	1.80	42.20	30.00	71.0-74.0	582.50
110636040	4 1/8 x 4	104.85-105.65	2.40	54.90	32.50	98.5-101.5	1155.00

## Adaptateur – Femelle x MIP



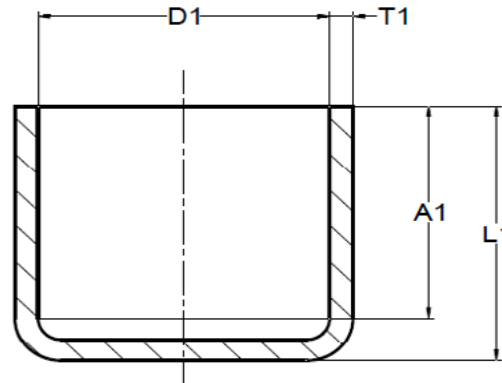
No d'article	diamètre extérieur x MIP Size (po)	D1 (mm)	T1 (Min.) (mm)	A1 (Min.) (mm)	A2 (Min.) (mm)	L1 (mm)	Poids net approx (g)
110634085	5/8 x 1/2	15.62-15.90	0.70	14.20	12.50	36.0-39.0	14.00
110634095	7/8 x 1/2	21.89-22.25	0.84	20.60	12.50	44.2-44.7	40.20
110634102	7/8 x 3/4	21.89-22.25	0.80	20.60	14.00	46.0-49.0	18.50
110634131	1 1/8 x 3/4	28.55-28.63	1.05	24.60	14.00	48.0-48.5	75.70
110634137	1 1/8 x 1	28.24-28.63	0.95	24.60	18.00	54.5-56.5	16.00
110634012	1 3/8	34.83-34.98	1.12	26.20	19.00	52.5-54.5	144.70
110634015	1 5/8 x 1 1/2	41.15-41.33	1.30	29.50	21.00	64.0-67.0	179.70
110634020	2 1/8 x 2	53.55-54.03	1.50	35.80	22.00	72.0-75.0	252.00

## Adaptateur – Femelle x FIP



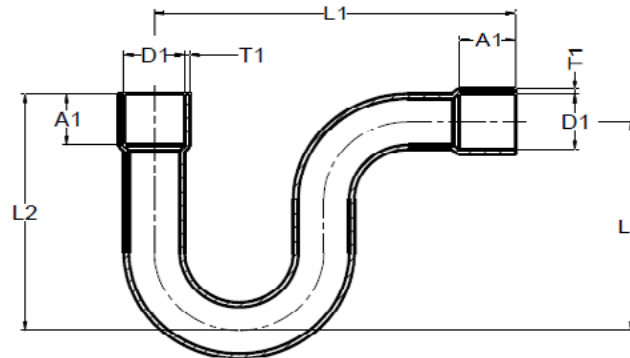
No d'article	diamètre extérieur x FIP (po)	D1 (mm)	T1 (Min.) (mm)	A1 (Min.) (mm)	A2 (Min.) (mm)	L1 (mm)	Poids net approx (g)
110638002	3/8 x 3/8	9.31-9.55	0.60	9.70	7.50	22.5-24.5	14.40
110638074	5/8 x 3/8	15.62-15.90	0.74	14.20	11.00	26.5-28.5	22.40
110638005	5/8 x 1/2	15.62-15.90	0.74	14.20	14.00	34.5-37.0	29.00
110638095	7/8 x 1/2	21.89-22.25	0.84	20.60	14.00	33.8-35.3	44.00
110638007	7/8 x 3/4	22.13-22.25	0.84	20.60	16.00	43.0-46.0	48.00
110638010	1 1/8 x 1	28.24-28.63	1.02	24.60	18.00	48.5-52.0	88.00
110638012	1 3/8 x 1 1/4	34.55-34.98	1.05	26.20	19.00	52.5-54.5	119.00
110638015	1 5/8 x 1 1/2	40.87-41.33	1.30	29.50	21.00	58.0-60.0	188.00
110638020	2 1/8 x 2	53.55-54.03	1.35	35.80	21.00	66.0-69.0	250.50

## Capuchon



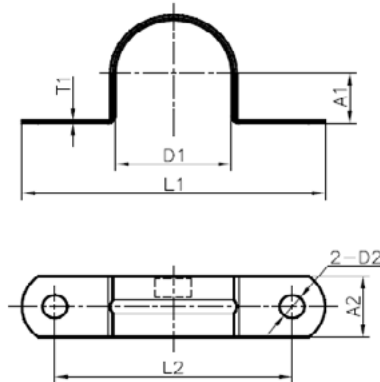
No d'article	diamètre extérieur (po)	D1 (mm)	T1 (Min.) (mm)	A1 (Min.) (mm)	L1 (mm)	Poids net approx (g)
110647000	1/4	6.40-6.51	0.48	6.40	7.00-9.00	1.30
110647002	3/8	9.58-9.82	0.58	7.90	9.00-11.00	2.50
110647004	1/2	12.75-13.03	0.62	9.70	10.00-12.00	5.00
110647005	5/8	15.93-16.21	0.70	12.70	13.50-15.50	7.00
110647006	3/4	19.10-19.38	0.75	15.70	17.00-19.50	11.50
110647007	7/8	22.28-22.64	0.80	19.10	21.00-23.00	17.00
110647010	1 1/8	28.65-29.04	0.95	23.10	24.50-26.50	26.00
110647012	1 3/8	35.00-35.43	1.05	24.60	26.00-28.50	52.00
110647015	1 5/8	41.35-41.81	1.25	27.70	30.00-32.00	56.00
110647020	2 1/8	54.05-54.53	1.45	34.00	37.00-39.00	117.50
110647025	2 5/8	66.75-67.35	1.65	37.30	41.00-43.50	208.50
110647030	3 1/8	79.45-80.15	1.85	42.20	45.50-47.5	271.00
110647035	3 5/8	92.15-92.90	2.15	48.50	53.90-55.90	439.50
110647040	4 1/8	104.85-105.65	2.15	54.90	59.00-61.00	569.00

## Siphon en P – C x C



No d'article	diamètre extérieur (po)	D1 (mm)	T1 (Min.) (mm)	A1 (Min.) (mm)	L1 (mm)	L2 (mm)	L3 (mm)	Poids net approx (g)
110685005	5/8	15.93-16.21	0.85	12.70	168.5-170.5	156.0-158.0	153.0-155.0	197.50
110685006	3/4	19.10-19.38	0.90	15.70	169.5-171.0	161.0-163.0	158.5-160.5	239.50
110685007	7/8	22.28-22.64	0.95	19.10	165.5-167.0	163.0-166.0	159.0-160.5	319.00
110685010	1 1/8	28.65-29.04	1.15	23.10	169.5-171.0	166.5-168.5	156.5-158.0	468.00
110685012	1 3/8	35.00-35.43	1.30	24.60	198.0-200.0	174.5-176.5	172.0-174.0	613.00
110685015	1 5/8	41.35-41.81	1.45	27.70	252.0-253.5	236.0-238.0	240.0-242.0	1090.00
110685020	2 1/8	54.05-54.53	1.65	34.00	298.0-299.5	287.5-289.5	273.5-275.0	1860.00

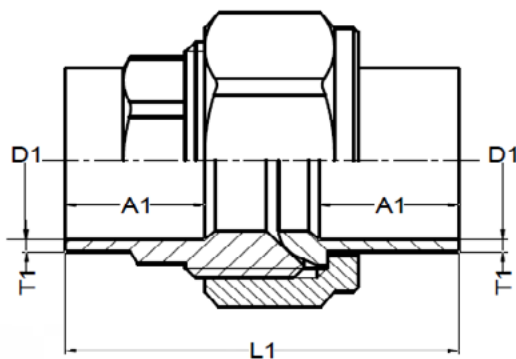
## Attache en cuivre



No d'article	diamètre extérieur (po)	D1 (mm)	D2 (mm)	T1 (Min.) (mm)	A1 (Min.) (mm)	A2 (Min.) (mm)	L1 (mm)	L2 (mm)	Poids net approx (g)
110693000	1/4	6.45-7.80	4.00	0.90	4.20	10.3-10.8	7	19	3.30
110693002	3/8	9.6-10.3	4.00	0.90	4.20	10.3-10.8	38.5	26.5	4.50
110693004	1/2	12.8-13.5	4.00	0.90	5.80	10.3-10.8	44	32	5.00
110693005	5/8	15.9-16.6	4.00	0.90	7.40	10.3-10.8	49	36	6.00
110693006	3/4	19.1-19.8	4.00	0.90	8.60	10.3-10.8	53	40	6.50
110693007	7/8	22.3-23.0	5.00	0.90	10.20	10.3-10.8	63	50	8.00
110693010	1 1/8	28.7-29.4	5.00	0.90	13.40	10.3-10.8	65	52	9.00
110693012	1 3/8	35.0-36.0	5.00	1.30	15.50	10.3-10.8	75	62	10.50
110693015	1 5/8	41.4-42.4	5.00	1.30	17.70	10.3-10.8	85.5	72.5	19.00
110693020	2 1/8	54.1-55.1	5.00	1.30	24.00	10.3-10.8	105	92	24.00



## Union – C x C



No d'article	diamètre extérieur (po)	D1 (mm)	T1 (Min.) (mm)	A1 (Min.) (mm)	L1 (mm)	Poids net approx (g)
110694002	3/8	9.58-9.82	0.60	7.90	24.2-25.8	36.40
110697004	1/2	12.75-13.03	0.66	9.70	28.8-29.4	58.80
110694005	5/8	15.93-16.21	0.70	12.70	34.5-35.0	80.00
110694007	7/8	22.28-22.64	0.80	19.10	46.0-47.0	121.00
110697010	1 1/8	28.65-29.04	0.95	23.10	57.0-60.0	220.00
110694012	1 3/8	35.00-35.43	1.05	24.60	58.5-61.0	310.50
110694015	1 5/8	41.35-41.81	1.25	27.70	65.0-66.5	442.00

CB Supplies, fondée en 1962, est un fabricant et maître-distributeur canadien. Notre valeur fondamentale consiste à offrir un service à la clientèle exceptionnel par l'entremise de chacun de nos quatre bureaux régionaux :

- des produits de qualité supérieure qui répondent à l'évolution des demandes du marché;
- des prix compétitifs sur le marché;
- des taux de remplissage élevés et des livraisons rapides.

Nous souscrivons continuellement à notre valeur fondamentale en investissant à long terme dans notre personnel, nos installations, nos produits et nos associations industrielles.

Nous proposons une vaste gamme de solutions pour la plomberie, l'hydronique et le CVC, notamment les produits de marque suivants : les tuyaux pour les systèmes d'eau potable et de chauffage radiant VIPERT<sup>MC</sup>, les tuyaux pour branchement de service LYNX-PEX<sup>MC</sup>, les raccords à sertissage en acier au carbone MECHPRESS, la tubulure d'acier inoxydable Diamondback<sup>MD</sup> (CSST) et les produits American Granby.



« Chez CB Supplies, nous sommes fiers de fabriquer des tuyaux en PEX et en PE-RT de qualité supérieure au Canada et de distribuer une vaste gamme d'excellents produits. Toutefois, notre dévouement envers le service est ce qui nous distingue. Un personnel compétent, des expéditions exactes et ponctuelles, ainsi que des stocks locaux importants nous permettent d'offrir un niveau de service qui fait de CB Supplies un partenaire essentiel dans la chaîne d'approvisionnement de nos clients grossistes et entrepreneurs. »

– Warren Lowe, président, CB Supplies Ltd.

**Découvrez notre vaste sélection de produits conçus pour répondre aux besoins de vos projets de réfrigération, y compris :**



Tuyaux en cuivre



Valves ACR



Rouleaux de tuyaux ACR isolés



Supports coussinés



Amortisseurs de vibration

**Contactez-nous**

[cbsupplies.ca](http://cbsupplies.ca)

[salesinfo@cbsupplies.ca](mailto:salesinfo@cbsupplies.ca)

**Colombie-Britannique**

604-535-5088

[sales.bc@cbsupplies.ca](mailto:sales.bc@cbsupplies.ca)

**Alberta et Centre-Ouest**

403-258-3331

[sales.ab@cbsupplies.ca](mailto:sales.ab@cbsupplies.ca)

**Ontario**

905-629-4242

[sales.on@cbsupplies.ca](mailto:sales.on@cbsupplies.ca)

**Québec et Atlantique**

450-687-7842

[sales.qc@cbsupplies.ca](mailto:sales.qc@cbsupplies.ca)