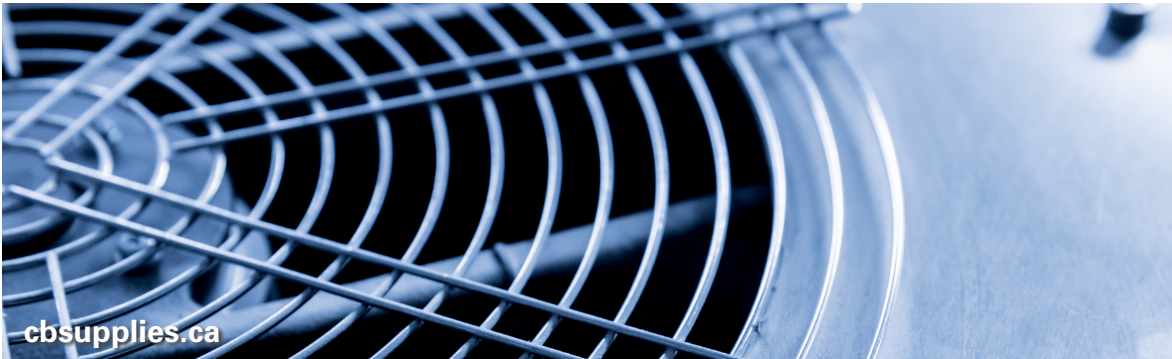




ACR Fittings Dimensions



cbsupplies.ca

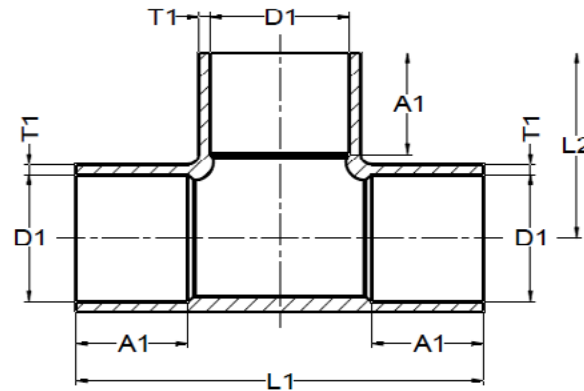


Table of Contents

Navigate to the specific sections by clicking on the line items below.

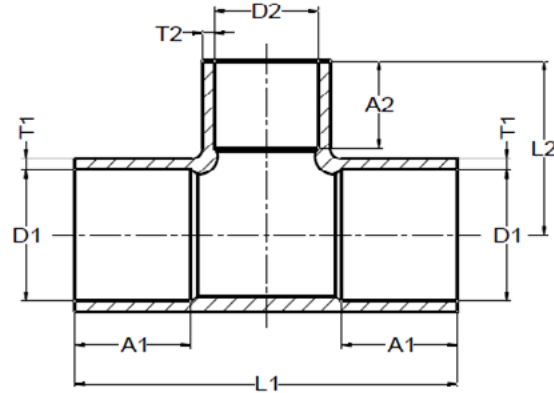
| | |
|--|----|
| Tee CxCxC | 3 |
| Reducing Tee CxCxC | 4 |
| 90° Long Turn Street Elbow FTGxC | 10 |
| 90° Long Radius Elbow CxC | 11 |
| 90° Intermediate Radius Elbow CxC | 12 |
| 90° Intermediate Radius Street Elbow FTGxC | 13 |
| 90° Short Radius Reducing Elbow CxC | 14 |
| 45° Street Elbow FTGxC | 15 |
| 45° Elbow CxC | 16 |
| Return Bend CxC | 17 |
| Coupling Without Stop CxC | 18 |
| Rolled Coupling CxC | 19 |
| Reducing Coupling CxC | 20 |
| Fitting Reducer FTGxC | 22 |
| Adapter CxFPT | 24 |
| Adapter CxMPT | 26 |
| Adapter FTGxMIP | 28 |
| Adapter FTGxFIP | 29 |
| Cap | 30 |
| P-Trap CxC | 31 |
| Copper Tube Strap | 32 |
| Union CxC | 33 |

Tee CxCxC



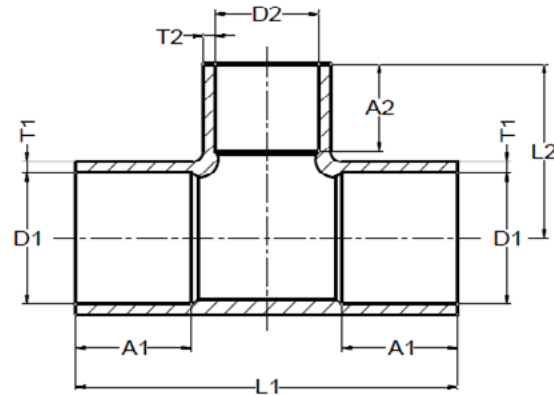
| CB Item | OD Size (in) | D1 (mm) | T1 (Min.) (mm) | A1 (Min.) (mm) | L1 (mm) | L2 (mm) | Approx. Net WT. (g) |
|-----------|--------------|---------------|----------------|----------------|-------------|-------------|---------------------|
| 110601000 | 1/4 | 6.40-6.64 | 0.48 | 6.40 | 23.8-25.8 | 11.0-13.5 | 7.00 |
| 110601003 | 5/16 | 7.99-8.23 | 0.58 | 7.90 | 24.5-26.5 | 12.5-14.5 | 8.50 |
| 110601002 | 3/8 | 9.58-9.82 | 0.48 | 7.90 | 25.7-27.3 | 14.5-16.5 | 9.00 |
| 110601004 | 1/2 | 12.75-13.03 | 0.48 | 9.70 | 31.5-33.5 | 18.0-20.0 | 15.00 |
| 110601005 | 5/8 | 15.93-16.21 | 0.55 | 12.70 | 40.8-42.8 | 21.0-23.0 | 26.00 |
| 110601006 | 3/4 | 19.10-19.38 | 0.62 | 15.70 | 49.5-51.5 | 26.5-29.0 | 40.00 |
| 110601007 | 7/8 | 22.28-22.64 | 0.68 | 19.10 | 60.7-62.7 | 32.5-34.5 | 68.00 |
| 110601010 | 1 1/8 | 28.65-29.04 | 0.82 | 23.10 | 77.3-79.3 | 40.0-42.0 | 126.00 |
| 110601012 | 1 3/8 | 35.00-35.43 | 0.85 | 24.60 | 86.5-88.5 | 45.5-47.5 | 169.00 |
| 110601015 | 1 5/8 | 41.35-41.81 | 1.10 | 27.70 | 97.0-100.5 | 52.0-54.0 | 266.00 |
| 110601020 | 2 1/8 | 54.05-54.53 | 1.22 | 34.00 | 125.0-128.0 | 66.0-68.0 | 494.50 |
| 110601025 | 2 5/8 | 66.75-67.35 | 1.35 | 37.30 | 146.0-150.0 | 77.0-79.0 | 711.50 |
| 110601030 | 3 1/8 | 79.45-80.15 | 1.55 | 42.20 | 168.0-172.0 | 90.5-92.5 | 1154.50 |
| 110601035 | 3 5/8 | 92.15-92.90 | 2.10 | 48.50 | 193.0-195.0 | 105.5-107.5 | 2013.00 |
| 110601040 | 4 1/8 | 104.85-105.65 | 1.75 | 54.90 | 218.5-220.5 | 118.0-120.0 | 2382.00 |

Reducing Tee CxCxC - 1



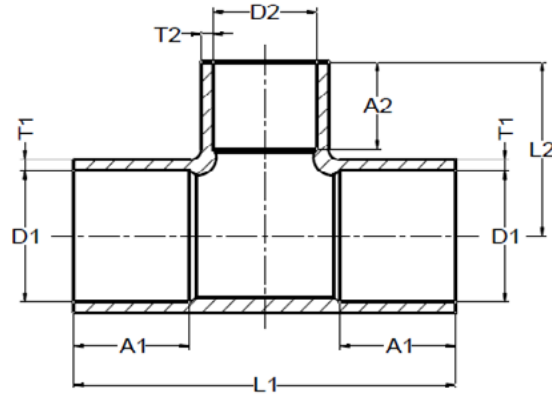
| CB Item | OD Size (in) | D1 (mm) | D2 (mm) | T1 (Min.) (mm) | T2 (Min.) (mm) | A1 (Min.) (mm) | A2 (Min.) (mm) | L1 (mm) | L2 (mm) | Approx. Net WT. (g) |
|-----------|--------------|-------------|-------------|----------------|----------------|----------------|----------------|-----------|-----------|---------------------|
| 110601031 | 1/4 x 3/8 | 6.40-6.64 | 9.58-9.82 | 0.70 | 0.80 | 6.40 | 7.90 | 35.5-37.5 | 16.0-17.5 | 16.00 |
| 110601032 | 3/8 x 1/4 | 9.58-9.82 | 6.40-6.64 | 0.60 | 0.50 | 7.90 | 6.40 | 29.5-31.5 | 18.0-20.0 | 12.80 |
| 110601034 | 3/8 x 1/2 | 9.58-9.82 | 12.75-13.03 | 0.80 | 0.85 | 7.90 | 9.70 | 44.0-46.0 | 20.0-21.5 | 23.50 |
| 110601056 | 3/8 x 5/8 | 9.58-9.83 | 15.93-16.21 | 0.80 | 0.85 | 7.90 | 12.70 | 52.0-54.0 | 27.5-29.0 | 41.50 |
| 110601073 | 1/2 x 1/4 | 12.75-13.03 | 6.40-6.64 | 0.66 | 0.50 | 9.70 | 6.40 | 29.5-31.5 | 22.5-24.5 | 17.50 |
| 110601074 | 1/2 x 3/8 | 12.75-13.03 | 9.58-9.82 | 0.85 | 0.80 | 9.70 | 7.90 | 30.0-32.0 | 15.5-17.5 | 18.00 |
| 110601059 | 1/2 x 5/8 | 12.75-13.03 | 15.93-16.21 | 0.85 | 0.85 | 9.70 | 12.70 | 37.0-39.0 | 22.0-23.5 | 28.00 |
| 110601070 | 5/8 x 1/4 | 15.93-16.21 | 6.40-6.64 | 1.00 | 0.85 | 12.70 | 6.40 | 36.0-38.0 | 16.5-18.5 | 26.30 |
| 110601072 | 5/8 x 3/8 | 15.93-16.21 | 9.58-9.82 | 0.95 | 0.85 | 12.70 | 7.90 | 36.0-38.0 | 17.5-19.0 | 27.00 |
| 110601075 | 5/8 x 1/2 | 15.93-16.21 | 12.75-13.03 | 0.95 | 0.75 | 12.70 | 9.70 | 40.0-42.5 | 21.0-23.0 | 30.80 |
| 110601076 | 5/8 x 7/8 | 15.93-16.21 | 22.28-22.64 | 0.85 | 0.95 | 12.70 | 19.10 | 49.5-50.5 | 31.0-33.0 | 72.00 |
| 110601099 | 3/4 x 3/8 | 19.10-19.38 | 9.58-9.82 | 0.90 | 0.80 | 15.70 | 7.90 | 43.0-45.0 | 20.0-22.0 | 34.50 |
| 110601080 | 3/4 x 1/2 | 19.10-19.38 | 12.75-13.03 | 1.20 | 0.90 | 15.70 | 9.70 | 50.0-52.0 | 21.0-23.0 | 56.00 |
| 110601085 | 3/4 x 5/8 | 19.10-19.38 | 15.93-16.21 | 0.90 | 0.85 | 15.70 | 12.70 | 48.0-51.0 | 24.5-26.5 | 42.50 |
| 110601084 | 3/4 x 7/8 | 19.10-19.38 | 22.28-22.64 | 0.75 | 0.80 | 15.70 | 19.10 | 53.5-56.5 | 34.0-36.0 | 58.50 |
| 110601094 | 7/8 x 3/8 | 22.28-22.64 | 9.58-9.82 | 1.20 | 0.75 | 19.10 | 7.90 | 53.0-55.0 | 21.0-23.0 | 61.60 |
| 110601095 | 7/8 x 1/2 | 22.28-22.64 | 12.75-13.03 | 1.20 | 0.90 | 19.10 | 9.70 | 52.5-54.0 | 23.0-25.0 | 61.90 |
| 110601096 | 7/8 x 5/8 | 22.28-22.64 | 15.93-16.21 | 1.10 | 0.80 | 19.10 | 12.70 | 55.0-57.5 | 27.0-29.0 | 61.90 |
| 110601102 | 7/8 x 3/4 | 22.28-22.64 | 19.10-19.38 | 0.95 | 0.90 | 19.10 | 15.70 | 58.0-61.0 | 28.5-30.0 | 68.00 |
| 110601104 | 7/8 x 1 1/8 | 22.28-22.64 | 28.65-29.04 | 0.95 | 1.15 | 19.10 | 23.10 | 71.0-73.0 | 38.0-39.5 | 141.50 |

Reducing Tee CxCxC - 2



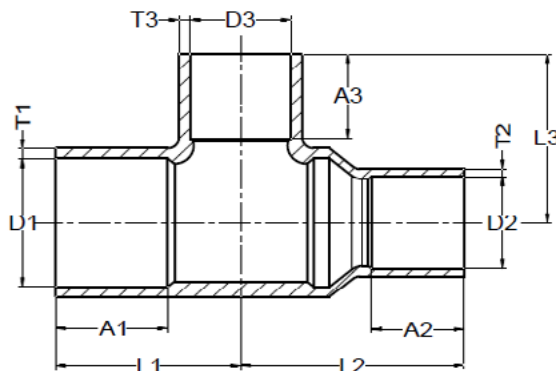
| CB Item | OD Size (in) | D1 (mm) | D2 (mm) | T1 (Min.) (mm) | T2 (Min.) (mm) | A1 (Min.) (mm) | A2 (Min.) (mm) | L1 (mm) | L2 (mm) | Approx. Net WT. (g) |
|-----------|---------------|-------------|-------------|----------------|----------------|----------------|----------------|-------------|-----------|---------------------|
| 110601129 | 1 1/8 x 1/2 | 28.65-29.04 | 12.75-13.03 | 1.15 | 0.85 | 23.10 | 9.70 | 67.0-69.0 | 26.5-28.5 | 109.00 |
| 110601130 | 1 1/8 x 5/8 | 28.65-29.04 | 15.93-16.21 | 1.15 | 0.85 | 23.10 | 12.70 | 66.5-68.5 | 29.5-31.0 | 116.00 |
| 110601133 | 1 1/8 x 3/4 | 28.65-29.04 | 19.10-19.38 | 1.15 | 0.90 | 23.10 | 15.70 | 66.0-69.0 | 32.5-34.0 | 116.50 |
| 110601131 | 1 1/8 x 7/8 | 28.65-29.04 | 22.28-22.64 | 1.15 | 0.95 | 23.10 | 19.10 | 70.5-72.5 | 36.5-38.5 | 128.00 |
| 110601132 | 1 1/8 x 1 3/8 | 28.65-29.04 | 35.00-35.43 | 0.95 | 1.05 | 23.10 | 24.60 | 83.0-85.0 | 46.0-48.0 | 192.50 |
| 110601134 | 1 1/8 x 1 5/8 | 28.65-29.04 | 41.35-41.81 | 1.12 | 1.40 | 23.10 | 27.70 | 119.5-121.5 | 59.0-61.0 | 168.00 |
| 110601165 | 1 3/8 x 1/2 | 35.00-35.42 | 12.75-13.03 | 1.30 | 0.85 | 24.60 | 9.70 | 69.5-71.5 | 31.5-33.5 | 149.50 |
| 110601166 | 1 3/8 x 5/8 | 35.00-35.43 | 15.93-16.21 | 1.30 | 0.85 | 24.60 | 12.70 | 68.0-70.0 | 33.5-35.5 | 146.00 |
| 110601167 | 1 3/8 x 7/8 | 35.00-35.43 | 22.28-22.64 | 1.30 | 0.95 | 24.60 | 19.10 | 74.0-76.0 | 49.5-51.5 | 174.00 |
| 110601168 | 1 3/8 x 1 1/8 | 35.00-35.43 | 28.65-29.04 | 1.30 | 1.10 | 24.60 | 23.10 | 81.0-83.0 | 44.5-46.5 | 190.00 |
| 110601169 | 1 3/8 x 1 5/8 | 35.00-35.43 | 41.35-41.81 | 1.30 | 1.45 | 24.60 | 27.70 | 114.0-116.0 | 53.5-55.5 | 358.50 |
| 110601170 | 1 3/8 x 2 1/8 | 35.00-35.43 | 54.05-54.53 | 1.05 | 1.20 | 24.60 | 34.00 | 142.0-145.0 | 75.5-77.0 | 561.00 |
| 110601211 | 1 5/8 x 1/2 | 41.35-41.81 | 12.75-13.03 | 1.30 | 0.66 | 27.70 | 9.70 | 73.0-75.0 | 34.0-36.0 | 177.00 |
| 110601212 | 1 5/8 x 5/8 | 41.35-41.81 | 15.93-16.21 | 1.30 | 0.74 | 27.70 | 12.70 | 73.5-76.0 | 37.0-39.0 | 180.00 |
| 110601213 | 1 5/8 x 7/8 | 41.35-41.81 | 22.28-22.64 | 1.60 | 1.40 | 27.70 | 19.10 | 80.0-83.0 | 43.5-45.5 | 255.50 |
| 110601214 | 1 5/8 x 1 1/8 | 41.35-41.81 | 28.65-29.04 | 1.45 | 1.20 | 27.70 | 23.10 | 87.0-89.0 | 47.5-49.0 | 286.00 |
| 110601215 | 1 5/8 x 1 3/8 | 41.35-41.81 | 35.00-35.43 | 1.45 | 1.30 | 27.70 | 24.60 | 93.5-95.5 | 49.0-51.0 | 309.50 |
| 110601216 | 1 5/8 x 2 1/8 | 41.35-41.81 | 54.05-54.53 | 1.45 | 1.65 | 27.70 | 34.00 | 139.5-141.5 | 71.0-72.5 | 720.00 |
| 110601249 | 2 1/8 x 1/2 | 54.05-54.53 | 12.75-13.03 | 1.65 | 0.85 | 34.00 | 9.70 | 87.0-89.0 | 44.0-45.5 | 362.00 |
| 110601250 | 2 1/8 x 5/8 | 54.05-54.53 | 15.93-16.21 | 1.50 | 0.74 | 34.00 | 12.70 | 89.0-91.0 | 43.0-45.0 | 300.00 |

Reducing Tee CxCxC - 3



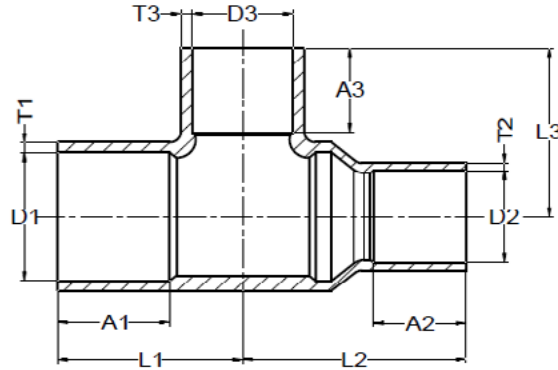
| CB Item | OD Size (in) | D1 (mm) | D2 (mm) | T1 (Min.) (mm) | T2 (Min.) (mm) | A1 (Min.) (mm) | A2 (Min.) (mm) | L1 (mm) | L2 (mm) | Approx. Net WT. (g) |
|-----------|---------------|---------------|-------------|----------------|----------------|----------------|----------------|-------------|-------------|---------------------|
| 110601251 | 2 1/8 x 7/8 | 54.05-54.53 | 22.28-22.64 | 1.65 | 0.95 | 34.00 | 19.10 | 95.0-97.0 | 48.5-50.5 | 427.00 |
| 110601252 | 2 1/8 x 1 1/8 | 54.05-54.53 | 28.65-29.04 | 1.65 | 1.15 | 34.00 | 23.10 | 99.0-101.5 | 56.5-58.0 | 473.00 |
| 110601253 | 2 1/8 x 1 3/8 | 54.05-54.53 | 35.00-35.43 | 1.65 | 1.30 | 34.00 | 24.60 | 105.5-107.5 | 57.5-59.0 | 509.50 |
| 110601254 | 2 1/8 x 1 5/8 | 54.05-54.53 | 41.35-41.81 | 1.65 | 1.45 | 34.00 | 27.70 | 112.0-124.0 | 59.5-61.0 | 549.50 |
| 110601255 | 2 1/8 x 2 5/8 | 54.05-54.53 | 66.75-67.35 | 1.60 | 1.80 | 34.00 | 37.30 | 185.5-187.5 | 88.5-91.0 | 980.50 |
| 110601288 | 2 5/8 x 7/8 | 66.75-67.35 | 22.28-22.64 | 1.70 | 0.84 | 37.30 | 19.10 | 102.0-105.0 | 55.5-59.0 | 497.00 |
| 110601289 | 2 5/8 x 1 1/8 | 66.75-67.35 | 28.65-29.04 | 1.95 | 1.15 | 37.30 | 23.10 | 110.5-112.5 | 63.0-65.0 | 545.50 |
| 110601290 | 2 5/8 x 1 3/8 | 66.75-67.35 | 35.00-35.43 | 1.95 | 1.30 | 37.30 | 24.60 | 110.0-112.5 | 61.5-63.5 | 930.00 |
| 110601291 | 2 5/8 x 1 5/8 | 66.75-67.35 | 41.35-41.81 | 1.95 | 1.45 | 37.30 | 27.70 | 119.0-122.0 | 66.0-68.0 | 956.00 |
| 110601292 | 2 5/8 x 2 1/8 | 66.75-67.35 | 54.05-54.53 | 1.95 | 1.65 | 37.30 | 34.00 | 134.0-136.0 | 78.5-80.5 | 1060.00 |
| 110601334 | 3 1/8 x 7/8 | 79.45-80.15 | 22.28-22.64 | 1.90 | 0.84 | 42.20 | 19.10 | 118.0-120.0 | 76.5-79.0 | 663.50 |
| 110601335 | 3 1/8 x 1 1/8 | 79.45-80.15 | 28.65-29.04 | 1.75 | 1.02 | 42.20 | 23.10 | 118.0-121.0 | 72.0-74.5 | 795.00 |
| 110601336 | 3 1/8 x 1 3/8 | 79.45-80.15 | 35.00-35.43 | 2.20 | 1.30 | 42.20 | 24.60 | 123.5-125.5 | 70.5-72.5 | 1069.00 |
| 110601337 | 3 1/8 x 1 5/8 | 79.45-80.15 | 41.35-41.81 | 1.90 | 1.30 | 42.20 | 27.70 | 127.5-131.0 | 74.0-76.0 | 868.50 |
| 110601338 | 3 1/8 x 2 1/8 | 79.45-80.15 | 54.05-54.53 | 2.20 | 1.65 | 42.20 | 34.00 | 147.0-150.0 | 80.0-82.0 | 1289.50 |
| 110601339 | 3 1/8 x 2 5/8 | 79.45-80.15 | 66.75-67.35 | 1.90 | 1.50 | 42.20 | 37.30 | 154.0-156.0 | 83.0-85.0 | 1027.00 |
| 110601420 | 4 1/8 x 2 1/8 | 104.85-105.65 | 54.05-54.53 | 2.20 | 1.50 | 54.90 | 34.00 | 167.5-170.0 | 97.0-99.0 | 1735.50 |
| 110601421 | 4 1/8 x 2 5/8 | 104.85-105.65 | 66.75-67.35 | 2.20 | 1.70 | 54.90 | 37.30 | 176.0-181.0 | 99.5-101.5 | 2015.00 |
| 110601422 | 4 1/8 x 3 1/8 | 104.85-105.65 | 79.45-80.15 | 2.20 | 1.80 | 54.90 | 42.20 | 191.5-193.5 | 103.0-105.0 | 2004.00 |

Reducing Tee CxCxC - 1



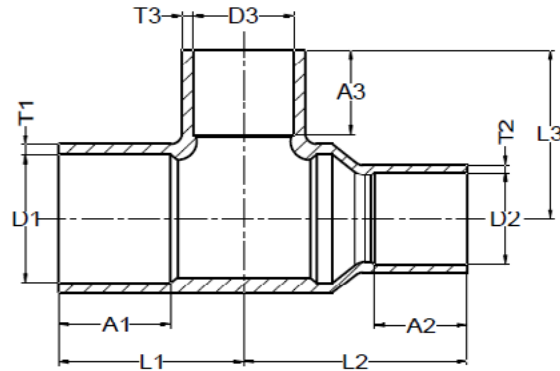
| CB Item | OD Size (in) | D1 (mm) | D2 (mm) | D3 (mm) | T1 (Min.) (mm) | T2 (Min.) (mm) | T3 (Min.) (mm) | A1 (Min.) (mm) | A2 (Min.) (mm) | A3 (Min.) (mm) | L1 (mm) | L2 (mm) | L3 (mm) | Approx. Net WT. (g) |
|-----------|---------------------|-------------|-------------|-------------|----------------|----------------|----------------|----------------|----------------|----------------|-----------|-----------|-----------|---------------------|
| 110601026 | 3/8 x 1/4 x 1/4 | 9.58-9.82 | 6.40-6.64 | 6.40-6.64 | 0.80 | 0.70 | 0.70 | 7.90 | 6.40 | 6.40 | 13.0-14.5 | 16.0-17.5 | 12.0-13.5 | 12.50 |
| 110601029 | 3/8 x 1/4 x 3/8 | 9.58-9.82 | 6.40-6.64 | 9.58-9.82 | 0.80 | 0.70 | 0.70 | 7.90 | 6.40 | 7.90 | 13.0-14.5 | 19.5-21.0 | 14.5-16.0 | 15.00 |
| 110601065 | 5/8 x 1/2 x 3/8 | 15.93-16.21 | 12.75-13.03 | 9.58-9.82 | 0.84 | 0.66 | 0.60 | 12.70 | 9.70 | 7.90 | 20.7-22.7 | 19.8-21.8 | 17.6-19.6 | 30.40 |
| 110601066 | 5/8 x 3/8 x 5/8 | 15.93-16.21 | 9.58-9.82 | 15.93-16.21 | 0.95 | 1.25 | 0.75 | 12.70 | 7.90 | 12.70 | 20.7-22.7 | 26.8-28.8 | 22.5-24.5 | 38.40 |
| 110601068 | 5/8 x 1/2 x 1/2 | 15.93-16.21 | 12.75-13.03 | 12.75-13.03 | 1.00 | 0.90 | 0.70 | 12.70 | 9.70 | 9.70 | 21.0-22.5 | 22.0-23.5 | 21.0-22.5 | 33.80 |
| 110601069 | 5/8 x 1/2 x 5/8 | 15.93-16.21 | 12.75-13.03 | 15.93-16.21 | 0.70 | 0.62 | 0.70 | 12.70 | 9.70 | 12.70 | 20.0-22.0 | 26.0-28.0 | 22.0-24.5 | 27.00 |
| 110601071 | 1/2 x 3/8 x 3/8 | 12.75-13.03 | 9.59-9.82 | 9.59-9.82 | 0.85 | 0.80 | 0.80 | 9.70 | 7.90 | 7.90 | 15.5-17.0 | 20.5-22.5 | 17.0-18.5 | 20.50 |
| 110601079 | 7/8 x 3/4 x 3/4 | 22.28-22.64 | 19.10-19.38 | 19.10-19.38 | 0.95 | 0.90 | 0.90 | 19.10 | 15.70 | 15.70 | 30.0-31.5 | 33.0-35.0 | 30.0-31.5 | 67.00 |
| 110601081 | 1/2 x 3/8 x 1/2 | 12.75-13.03 | 9.59-9.82 | 12.75-13.03 | 0.85 | 0.80 | 0.85 | 9.70 | 7.90 | 9.70 | 15.5-17.0 | 22.5-24.5 | 19.0-20.5 | 21.00 |
| 110601086 | 7/8 x 5/8 x 1/2 | 22.28-22.64 | 15.93-16.21 | 12.75-13.03 | 0.80 | 0.70 | 0.62 | 19.10 | 12.70 | 9.70 | 30.0-31.5 | 27.0-29.0 | 23.0-25.0 | 50.00 |
| 110601090 | 7/8 x 5/8 x 5/8 | 22.28-22.64 | 15.93-16.21 | 15.93-16.21 | 0.80 | 0.64 | 0.64 | 19.10 | 12.70 | 12.70 | 30.0-31.5 | 28.5-31.0 | 25.5-27.0 | 55.50 |
| 110601091 | 7/8 x 5/8 x 3/8 | 22.28-22.64 | 15.93-16.21 | 9.58-9.82 | 0.95 | 0.85 | 0.80 | 19.10 | 12.70 | 7.90 | 30.0-31.5 | 24.0-25.5 | 23.0-24.5 | 50.00 |
| 110601092 | 7/8 x 5/8 x 7/8 | 22.28-22.64 | 15.93-16.21 | 22.28-22.64 | 0.80 | 0.70 | 0.65 | 19.10 | 12.70 | 19.10 | 30.0-31.5 | 35.0-37.5 | 31.5-33.5 | 68.00 |
| 110601097 | 3/4 x 5/8 x 5/8 | 19.10-19.38 | 15.93-16.21 | 15.93-16.21 | 0.90 | 0.85 | 0.85 | 15.70 | 12.70 | 12.70 | 25.0-27.0 | 29.0-31.0 | 24.0-26.0 | 45.00 |
| 110601119 | 1 1/8 x 5/8 x 5/8 | 28.65-29.04 | 15.93-16.21 | 15.93-16.21 | 0.97 | 0.70 | 0.70 | 23.10 | 12.70 | 12.70 | 38.0-40.5 | 28.5-31.0 | 30.0-32.5 | 91.50 |
| 110601121 | 1 1/8 x 5/8 x 7/8 | 28.67-29.03 | 15.94-16.21 | 22.29-22.66 | 0.97 | 0.70 | 0.80 | 22.10 | 12.00 | 18.10 | 38.0-40.5 | 33.0-35.5 | 36.5-38.5 | 109.50 |
| 110601123 | 1 1/8 x 5/8 x 1 1/8 | 28.65-29.04 | 15.93-16.21 | 28.65-29.04 | 1.15 | 0.85 | 1.15 | 23.10 | 12.70 | 23.10 | 37.5-39.5 | 44.5-46.0 | 46.0-48.0 | 136.50 |
| 110601124 | 1-1/8 x 7/8 x 5/8 | 28.65-29.04 | 22.28-22.64 | 15.93-16.21 | 0.97 | 0.80 | 0.70 | 23.10 | 19.10 | 12.70 | 38.0-40.5 | 33.0-35.0 | 29.0-31.0 | 98.00 |
| 110601125 | 1 1/8 x 7/8 x 7/8 | 28.65-29.04 | 22.28-22.64 | 22.28-22.64 | 1.15 | 0.95 | 0.95 | 23.10 | 19.10 | 19.10 | 37.5-39.5 | 40.0-41.5 | 36.0-38.0 | 131.00 |

Reducing Tee CxCxC - 2



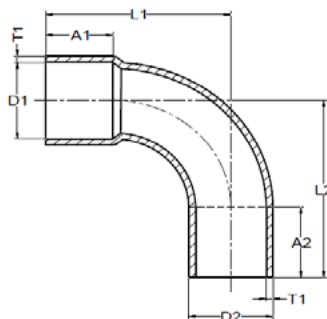
| CB Item | OD Size (in) | D1 (mm) | D2 (mm) | D3 (mm) | T1 (Min.) (mm) | T2 (Min.) (mm) | T3 (Min.) (mm) | A1 (Min.) (mm) | A2 (Min.) (mm) | A3 (Min.) (mm) | L1 (mm) | L2 (mm) | L3 (mm) | Approx. Net WT. (g) |
|-----------|-----------------------|-------------|-------------|-------------|----------------|----------------|----------------|----------------|----------------|----------------|-----------|-----------|-----------|---------------------|
| 110601126 | 1 1/8 x 7/8 x 1 1/8 | 28.65-29.04 | 22.28-22.64 | 28.65-29.04 | 1.15 | 0.95 | 1.05 | 23.10 | 19.10 | 23.10 | 37.5-39.5 | 46.5-48.5 | 40.0-42.0 | 136.00 |
| 110601152 | 1 3/8 x 5/8 x 1 3/8 | 35.00-35.43 | 15.93-16.21 | 35.00-35.43 | 1.05 | 0.75 | 0.80 | 24.60 | 12.70 | 24.60 | 42.5-45.0 | 49.5-52.0 | 62.9-64.9 | 162.50 |
| 110601155 | 1 3/8 x 7/8 x 7/8 | 35.00-35.43 | 22.28-22.64 | 22.28-22.64 | 1.30 | 0.95 | 0.95 | 24.60 | 19.10 | 19.10 | 43.5-45.0 | 40.5-42.0 | 39.5-41.0 | 186.50 |
| 110601156 | 1 3/8 x 7/8 x 1 1/8 | 35.00-35.43 | 22.28-22.64 | 28.65-29.04 | 1.30 | 0.95 | 1.15 | 24.60 | 19.10 | 23.10 | 43.5-45.0 | 44.0-45.5 | 43.0-45.0 | 212.50 |
| 110601157 | 1 3/8 x 7/8 x 1 3/8 | 35.00-35.43 | 22.28-22.64 | 35.00-35.43 | 1.30 | 0.95 | 1.30 | 24.60 | 19.10 | 24.60 | 43.5-45.0 | 56.0-57.5 | 45.0-47.0 | 255.00 |
| 110601159 | 1 3/8 x 1 1/8 x 5/8 | 35.00-35.43 | 28.65-29.04 | 15.93-16.21 | 1.30 | 1.15 | 0.85 | 24.60 | 23.10 | 12.70 | 43.5-45.0 | 34.0-36.0 | 34.0-36.0 | 159.50 |
| 110601160 | 1 3/8 x 1 1/8 x 7/8 | 35.00-35.43 | 28.65-29.04 | 22.28-22.64 | 1.30 | 1.15 | 0.95 | 24.60 | 23.10 | 19.10 | 43.5-45.0 | 43.0-45.0 | 39.5-41.5 | 188.00 |
| 110601161 | 1 3/8 x 1 1/8 x 1 1/8 | 35.00-35.43 | 28.65-29.04 | 28.65-29.04 | 1.30 | 1.15 | 1.15 | 24.60 | 23.10 | 23.10 | 43.5-45.0 | 50.5-52.0 | 44.0-46.0 | 212.50 |
| 110601162 | 1 3/8 x 1 1/8 x 1 3/8 | 35.00-35.43 | 28.65-29.04 | 35.00-35.43 | 1.05 | 1.05 | 0.95 | 24.60 | 23.10 | 24.60 | 42.5-45.0 | 52.0-54.5 | 45.0-47.5 | 178.50 |
| 110601193 | 1 5/8 x 5/8 x 1 5/8 | 41.35-41.81 | 15.93-16.21 | 41.35-41.81 | 1.25 | 0.70 | 1.25 | 27.70 | 12.70 | 27.70 | 48.0-50.5 | 61.0-63.0 | 50.5-52.5 | 267.50 |
| 110601195 | 1 5/8 x 7/8 x 7/8 | 41.35-41.81 | 22.28-22.64 | 22.28-22.64 | 1.25 | 0.80 | 0.80 | 26.70 | 19.10 | 19.10 | 48.0-50.5 | 41.5-43.5 | 42.5-44.5 | 223.50 |
| 110601198 | 1 5/8 x 7/8 x 1 5/8 | 41.35-41.81 | 22.28-22.64 | 41.35-41.81 | 1.45 | 0.95 | 1.45 | 27.70 | 19.10 | 27.70 | 49.5-51.0 | 61.5-63.0 | 51.0-52.5 | 380.00 |
| 110601200 | 1-5/8 x 1-1/8 x 7/8 | 41.35-41.81 | 28.65-29.04 | 22.28-22.64 | 1.25 | 0.95 | 0.80 | 27.70 | 23.10 | 19.10 | 48.0-50.5 | 43.5-45.5 | 44.0-46.0 | 228.00 |
| 110601201 | 1 5/8 x 1 1/8 x 1 1/8 | 41.35-41.81 | 28.65-29.04 | 28.65-29.04 | 1.45 | 1.15 | 1.10 | 27.70 | 23.10 | 23.10 | 49.2-51.3 | 48.2-50.2 | 46.2-48.2 | 293.60 |
| 110601203 | 1 5/8 x 1 1/8 x 1 5/8 | 41.35-41.81 | 28.65-29.04 | 41.35-41.81 | 1.50 | 1.50 | 1.50 | 27.70 | 23.10 | 27.70 | 49.0-51.0 | 62.0-64.0 | 52.5-54.0 | 330.50 |
| 110601204 | 1 5/8 x 1 3/8 x 5/8 | 41.35-41.81 | 35.00-35.43 | 15.93-16.21 | 1.25 | 1.05 | 0.70 | 27.20 | 24.60 | 12.70 | 48.0-50.0 | 36.5-38.5 | 37.0-39.0 | 191.20 |
| 110601205 | 1 5/8 x 1 3/8 x 7/8 | 41.35-41.81 | 35.00-35.43 | 22.28-22.64 | 1.25 | 1.05 | 0.80 | 27.70 | 24.60 | 19.10 | 48.0-50.5 | 40.5-42.0 | 42.5-44.5 | 227.00 |
| 110601206 | 1 5/8 x 1 3/8 x 1 1/8 | 41.35-41.81 | 35.00-35.43 | 28.65-29.04 | 1.50 | 1.30 | 1.20 | 27.70 | 24.60 | 23.10 | 49.0-51.0 | 49.5-51.5 | 46.7-48.7 | 301.80 |
| 110601207 | 1 5/8 x 1 3/8 x 1 3/8 | 41.35-41.81 | 35.00-35.43 | 35.00-35.43 | 1.55 | 1.20 | 1.20 | 27.70 | 24.60 | 24.60 | 49.0-51.0 | 57.5-59.5 | 49.0-50.5 | 321.00 |

Reducing Tee CxCxC - 3



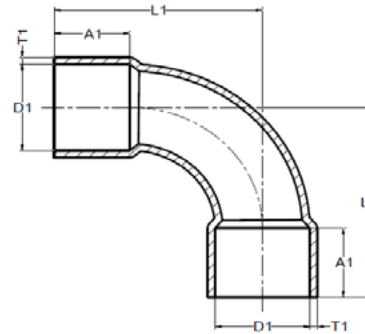
| CB Item | OD Size (in) | D1 (mm) | D2 (mm) | D3 (mm) | T1 (Min.) (mm) | T2 (Min.) (mm) | T3 (Min.) (mm) | A1 (Min.) (mm) | A2 (Min.) (mm) | A3 (Min.) (mm) | L1 (mm) | L2 (mm) | L3 (mm) | Approx. Net WT. (g) |
|-----------|-----------------------|-------------|-------------|-------------|----------------|----------------|----------------|----------------|----------------|----------------|-----------|-------------|-----------|---------------------|
| 110601208 | 1-5/8 x 1-3/8 x 1-5/8 | 41.35-41.81 | 35.00-35.43 | 41.35-41.81 | 1.45 | 1.30 | 1.45 | 27.70 | 24.60 | 27.70 | 49.0-51.0 | 58.0-60.0 | 51.0-53.0 | 360.00 |
| 110601227 | 2 1/8 x 7/8 x 2 1/8 | 54.05-54.53 | 22.28-22.64 | 54.05-54.53 | 1.45 | 0.80 | 1.45 | 34.00 | 19.10 | 34.00 | 62.5-64.0 | 76.5-79.0 | 65.5-68.0 | 481.00 |
| 110601230 | 2 1/8 x 1 1/8 x 1 1/8 | 54.05-54.53 | 28.65-29.04 | 28.65-29.04 | 1.45 | 0.95 | 0.95 | 34.00 | 23.10 | 23.10 | 62.5-64.0 | 49.0-51.5 | 53.5-56.0 | 376.50 |
| 110601238 | 2 1/8 x 1 3/8 x 1 3/8 | 54.05-54.53 | 35.00-35.43 | 35.00-35.43 | 1.45 | 1.05 | 1.05 | 34.00 | 24.60 | 24.60 | 62.5-64.0 | 53.5-56.0 | 56.5-58.0 | 385.50 |
| 110601239 | 2 1/8 x 1 3/8 x 1 5/8 | 54.05-54.53 | 35.00-35.43 | 41.35-41.81 | 1.50 | 1.12 | 1.30 | 34.00 | 24.60 | 27.70 | 62.0-64.0 | 63.0-65.0 | 62.2-64.2 | 496.20 |
| 110601242 | 2 1/8 x 1 5/8 x 7/8 | 54.05-54.53 | 41.35-41.81 | 22.28-22.64 | 1.40 | 1.20 | 0.80 | 34.00 | 27.70 | 19.10 | 62.5-64.0 | 44.5-46.0 | 48.5-50.0 | 352.90 |
| 110601243 | 2-1/8 x 1-5/8 x 1-1/8 | 54.05-54.53 | 41.35-41.81 | 28.65-29.04 | 1.45 | 1.25 | 0.95 | 34.00 | 27.70 | 23.10 | 62.5-64.0 | 51.0-52.5 | 55.0-56.5 | 379.00 |
| 110601244 | 2 1/8 x 1 5/8 x 1 3/8 | 54.05-54.53 | 41.35-41.81 | 35.00-35.43 | 1.45 | 1.25 | 1.05 | 34.00 | 27.70 | 24.60 | 62.5-64.0 | 51.5-53.0 | 57.0-58.5 | 403.00 |
| 110601245 | 2 1/8 x 1 5/8 x 1 5/8 | 54.05-54.53 | 41.35-41.81 | 41.35-41.81 | 1.65 | 1.45 | 1.45 | 34.00 | 27.70 | 27.70 | 62.0-64.0 | 64.5-66.0 | 61.5-63.0 | 560.50 |
| 110601246 | 2 1/8 x 1 5/8 x 2 1/8 | 54.05-54.53 | 41.35-41.81 | 54.05-54.53 | 1.45 | 1.25 | 1.25 | 34.00 | 27.70 | 34.00 | 62.5-64.0 | 75.0-77.0 | 65.5-68.0 | 506.00 |
| 110601277 | 2 5/8 x 1 5/8 x 1 5/8 | 66.75-67.35 | 41.35-41.81 | 41.35-41.81 | 1.95 | 1.75 | 1.45 | 37.30 | 27.70 | 27.70 | 72.5-74.5 | 72.0-74.0 | 70.5-72.5 | 942.50 |
| 110601282 | 2 5/8 x 2 1/8 x 1 1/8 | 66.75-67.35 | 54.05-54.53 | 28.65-29.04 | 1.65 | 1.45 | 1.10 | 37.30 | 34.00 | 23.10 | 73.0-75.0 | 47.5-49.5 | 60.5-62.0 | 561.00 |
| 110601284 | 2 5/8 x 2 1/8 x 1 5/8 | 66.75-67.35 | 54.05-54.53 | 41.35-41.81 | 1.65 | 1.45 | 1.25 | 37.30 | 34.00 | 27.70 | 73.0-75.0 | 63.0-65.0 | 65.5-68.0 | 659.50 |
| 110601285 | 2 5/8 x 2 1/8 x 2 1/8 | 66.75-67.35 | 54.05-54.53 | 54.05-54.53 | 1.95 | 1.65 | 1.65 | 37.30 | 34.00 | 34.00 | 72.5-74.5 | 77.5-79.5 | 76.5-78.5 | 1045.00 |
| 110601286 | 2 5/8 x 2 1/8 x 2 5/8 | 66.75-67.35 | 54.05-54.53 | 66.75-67.35 | 1.65 | 1.45 | 1.65 | 37.30 | 34.00 | 37.30 | 73.0-75.0 | 89.0-91.0 | 77.5-80.0 | 806.50 |
| 110601324 | 3 1/8 x 2 1/8 x 2 1/8 | 79.45-80.15 | 54.05-54.53 | 54.05-54.53 | 2.20 | 1.65 | 1.65 | 42.20 | 34.00 | 34.00 | 84.0-85.5 | 87.0-88.5 | 80.0-81.5 | 1570.00 |
| 110601326 | 3 1/8 x 2 1/8 x 3 1/8 | 79.45-80.15 | 54.05-54.53 | 79.45-80.15 | 1.85 | 1.45 | 1.85 | 42.20 | 34.00 | 42.20 | 84.0-86.0 | 104.5-106.5 | 89.0-91.0 | 1205.00 |
| 110601330 | 3 1/8 x 2 5/8 x 2 1/8 | 79.45-80.15 | 66.75-67.35 | 54.05-54.53 | 1.85 | 1.65 | 1.45 | 42.20 | 37.30 | 34.00 | 84.0-86.0 | 70.5-72.0 | 81.0-83.0 | 1019.00 |
| 110601331 | 3-1/8 x 2-5/8 x 2-5/8 | 79.45-80.15 | 66.75-67.35 | 66.75-67.35 | 1.85 | 1.65 | 1.65 | 42.20 | 37.30 | 37.30 | 84.0-86.0 | 86.5-89.0 | 80.5-82.5 | 1092.50 |

90° Long Turn Street Elbow FTGxC



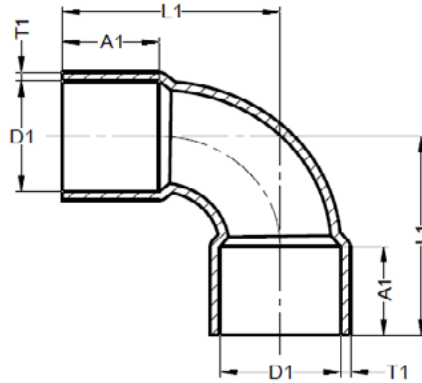
| CB Item | OD Size (in) | D1 (mm) | D2 (mm) | T1 (min.) (mm) | A1 (Min.) (mm) | A2 (Min.) (mm) | L1 (mm) | L2 (mm) | Approx. Net WT (g) |
|-----------|--------------|---------------|---------------|----------------|----------------|----------------|-------------|-------------|--------------------|
| 110610002 | 3/8 | 9.58-9.82 | 9.31-9.55 | 1.15 | 7.9 | 9.7 | 25.0-27.0 | 27.5-29.0 | 15.30 |
| 110610004 | 1/2 | 12.75-13.03 | 12.45-12.73 | 1 | 9.7 | 11.2 | 27.0-29.0 | 29.0-31.0 | 20.50 |
| 110610005 | 5/8 | 15.93-16.21 | 15.62-15.90 | 0.81 | 12.7 | 14.2 | 32.5-34.0 | 34.5-36.5 | 24.50 |
| 110610006 | 3/4 | 19.10-19.38 | 18.80-19.08 | 0.9 | 15.7 | 17.5 | 42.5-44.5 | 45.0-47.0 | 46.50 |
| 110610007 | 7/8 | 22.28-22.64 | 21.89-22.25 | 1.45 | 19.1 | 20.6 | 47.5-49.0 | 49.5-51.0 | 87.70 |
| 110610010 | 1 1/8 | 28.65-29.04 | 28.24-28.63 | 1.15 | 23.1 | 24.6 | 59.0-61.0 | 61.5-63.5 | 117.30 |
| 110610012 | 1 3/8 | 35.00-35.43 | 34.55-34.98 | 1.3 | 24.6 | 26.2 | 70.5-72.0 | 72.5-74.5 | 181.50 |
| 110610015 | 1 5/8 | 41.35-41.81 | 40.87-41.33 | 1.38 | 27.7 | 29.5 | 83.0-85.0 | 86.5-88.0 | 261.50 |
| 110610020 | 2 1/8 | 54.05-54.53 | 53.55-54.03 | 1.65 | 34 | 35.8 | 105.5-107.5 | 109.5-111.0 | 530.90 |
| 110610025 | 2 5/8 | 66.75-67.35 | 66.13-66.73 | 1.95 | 37.3 | 38.9 | 128.5-130.0 | 131.0-133.0 | 879.50 |
| 110610030 | 3 1/8 | 79.45-80.15 | 78.73-79.43 | 2.2 | 42.2 | 43.7 | 157.5-159.5 | 159.0-160.5 | 1454.00 |
| 110610035 | 3 5/8 | 92.15-92.90 | 91.38-92.13 | 2.35 | 48.5 | 50 | 170.5-172.0 | 174.5-176.0 | 1815.00 |
| 110610040 | 4 1/8 | 104.85-105.65 | 104.03-104.83 | 2.8 | 54.9 | 54.6 | 202.0-204.0 | 205.0-207.0 | 3100.00 |

90° Long Radius Elbow CxC



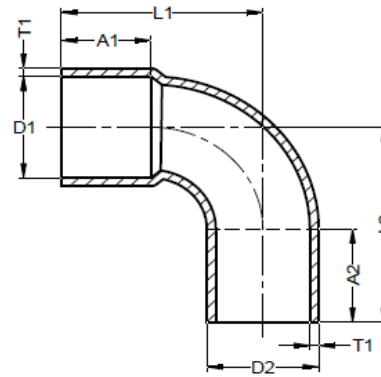
| CB Item | OD Size (in) | D1 (mm) | T1 (Min.) (mm) | A1 (Min.) (mm) | L1 (mm) | Approx. Net WT. (g) |
|-----------|--------------|---------------|----------------|----------------|-------------|---------------------|
| 110611000 | 1/4 | 6.40-6.64 | 0.70 | 6.40 | 18.0-20.0 | 6.50 |
| 110611003 | 5/16 | 7.99-8.23 | 0.66 | 7.90 | 21.5-23.5 | 9.00 |
| 110611002 | 3/8 | 9.58-9.82 | 1.30 | 7.90 | 27.0-28.5 | 21.00 |
| 110611004 | 1/2 | 12.75-13.03 | 1.00 | 9.70 | 28.5-30.0 | 20.40 |
| 110611005 | 5/8 | 15.93-16.21 | 1.00 | 12.70 | 35.0-38.5 | 35.80 |
| 110611006 | 3/4 | 19.10-19.38 | 0.90 | 15.70 | 49.0-50.0 | 46.50 |
| 110611007 | 7/8 | 22.28-22.64 | 1.40 | 19.10 | 49.0-51.0 | 87.70 |
| 110611010 | 1 1/8 | 28.65-29.04 | 1.65 | 23.10 | 61.0-63.0 | 159.40 |
| 110611012 | 1 3/8 | 35.00-35.43 | 1.30 | 24.60 | 72.0-74.0 | 179.00 |
| 110611015 | 1 5/8 | 41.35-41.81 | 1.32 | 27.70 | 84.5-86.5 | 255.00 |
| 110611020 | 2 1/8 | 54.05-54.53 | 1.65 | 34.00 | 108.0-109.5 | 534.00 |
| 110611025 | 2 5/8 | 66.75-67.35 | 1.80 | 37.30 | 164.7-167.7 | 853.80 |
| 110611030 | 3 1/8 | 79.45-80.15 | 2.20 | 42.20 | 159.0-161.0 | 1469.00 |
| 110611035 | 3 5/8 | 92.15-92.90 | 2.35 | 48.50 | 172.5-174.5 | 1808.00 |
| 110611040 | 4 1/8 | 104.85-105.65 | 2.60 | 54.90 | 258.5-262.5 | 3070.00 |

90° Intermediate Radius Elbow CxC



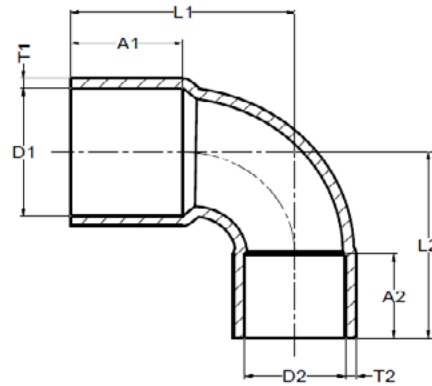
| CB Item | OD Size (in) | D1 (mm) | T1 (Min.) (mm) | A1 (Min.) (mm) | L1 (mm) | Approx. Net WT. (g) |
|-----------|--------------|---------------|----------------|----------------|-------------|---------------------|
| 110606000 | 1/4 | 6.40-6.64 | 0.68 | 6.40 | 15.5-18.0 | 5.60 |
| 110606002 | 3/8 | 9.58-9.82 | 1.35 | 7.90 | 17.0-19.0 | 16.40 |
| 110606004 | 1/2 | 12.75-13.03 | 0.80 | 9.70 | 22.0-24.0 | 15.60 |
| 110606005 | 5/8 | 15.93-16.21 | 1.45 | 12.70 | 28.0-30.0 | 43.20 |
| 110606006 | 3/4 | 19.10-19.38 | 0.85 | 15.70 | 37.5-39.5 | 40.10 |
| 110606007 | 7/8 | 22.28-22.64 | 0.90 | 19.10 | 39.5-42.0 | 53.50 |
| 110606010 | 1 1/8 | 28.65-29.04 | 1.24 | 23.10 | 50.5-52.5 | 100.20 |
| 110606012 | 1 3/8 | 35.00-35.43 | 1.40 | 24.60 | 52.5-54.5 | 158.80 |
| 110606015 | 1 5/8 | 41.35-41.81 | 1.33 | 27.70 | 58.0-60.0 | 208.50 |
| 110606020 | 2 1/8 | 54.05-54.53 | 1.50 | 34.00 | 72.5-75.0 | 361.50 |
| 110606025 | 2 5/8 | 66.75-67.35 | 1.70 | 37.30 | 84.0-86.0 | 577.00 |
| 110606030 | 3 1/8 | 79.45-80.15 | 1.15 | 42.20 | 97.0-99.0 | 855.50 |
| 110606040 | 4 1/8 | 104.85-105.65 | 2.70 | 54.90 | 125.5-127.5 | 1733.00 |

90° Intermediate Radius Street Elbow FTGxC



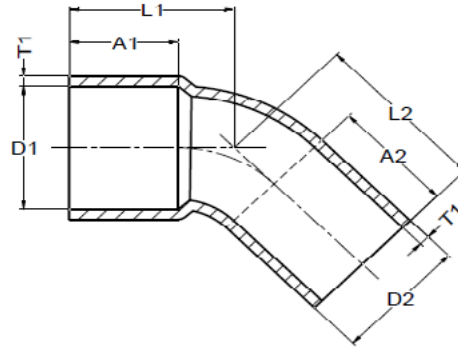
| CB Item | OD Size (in) | D1 (mm) | T1 (Min.) (mm) | T2 (Min.) (mm) | A1 (Min.) (mm) | A2 (Min.) (mm) | L1 (mm) | L2 (mm) | Approx. Net WT. (g) |
|-----------|--------------|---------------|----------------|----------------|----------------|----------------|-------------|-------------|---------------------|
| 110609000 | 1/4 | 6.40-6.64 | 6.14-6.38 | 0.70 | 6.40 | 7.90 | 14.5-17.0 | 18.5-20.5 | 6.00 |
| 110609002 | 3/8 | 9.58-9.82 | 9.31-9.55 | 1.38 | 7.90 | 9.70 | 15.5-17.5 | 18.0-19.5 | 13.00 |
| 110609004 | 1/2 | 12.75-13.03 | 12.45-12.73 | 0.85 | 9.70 | 11.20 | 21.0-23.0 | 23.0-25.0 | 15.50 |
| 110609005 | 5/8 | 15.93-16.21 | 15.62-15.90 | 0.84 | 12.70 | 14.20 | 26.5-28.5 | 28.5-30.5 | 20.00 |
| 110609006 | 3/4 | 19.10-19.38 | 18.80-19.08 | 0.90 | 15.70 | 17.50 | 35.0-37.0 | 36.0-38.0 | 38.70 |
| 110609007 | 7/8 | 22.28-22.64 | 21.89-22.25 | 1.06 | 19.10 | 20.60 | 37.5-40.0 | 40.0-42.0 | 53.00 |
| 110609010 | 1 1/8 | 28.65-29.04 | 28.24-28.63 | 1.25 | 23.10 | 24.60 | 48.5-50.0 | 50.0-52.0 | 100.30 |
| 110609012 | 1 3/8 | 35.00-35.43 | 34.55-34.98 | 1.50 | 24.60 | 26.20 | 49.0-51.0 | 54.0-56.0 | 161.50 |
| 110609015 | 1 5/8 | 41.35-41.81 | 40.87-41.33 | 1.45 | 27.70 | 29.50 | 56.5-58.5 | 60.5-63.0 | 210.00 |
| 110609020 | 2 1/8 | 54.05-54.53 | 53.55-54.03 | 1.50 | 34.00 | 35.80 | 76.0-78.0 | 77.0-79.0 | 382.50 |
| 110609025 | 2 5/8 | 66.75-67.35 | 66.13-66.73 | 1.76 | 37.30 | 38.90 | 80.5-83.0 | 83.5-85.0 | 572.50 |
| 110609030 | 3 1/8 | 79.45-80.15 | 78.73-79.43 | 2.05 | 42.20 | 43.70 | 91.5-94.0 | 96.0-98.0 | 807.00 |
| 110609040 | 4 1/8 | 104.85-105.65 | 104.03-104.83 | 2.80 | 54.90 | 56.40 | 120.5-122.5 | 126.0-128.0 | 1720.00 |

90° Short Radius Reducing Elbow CxC



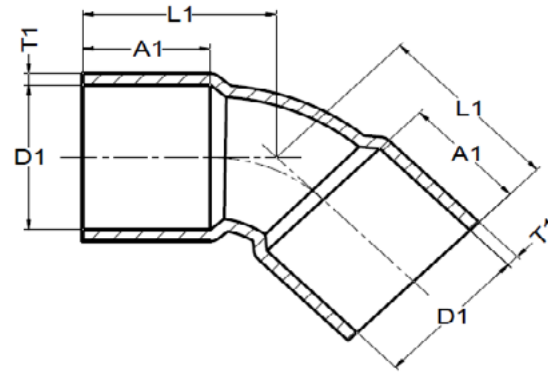
| CB Item | OD Size (in) | D1 (mm) | D2 (mm) | T1 (Min.) (mm) | T2 (Min.) (mm) | A1 (Min.) (mm) | A2 (Min.) (mm) | L1 (mm) | L2 (mm) | Approx. Net WT. (g) |
|-----------|---------------|-------------|-------------|----------------|----------------|----------------|----------------|-----------|-----------|---------------------|
| 110606085 | 5/8 x 1/2 | 15.93-16.21 | 12.75-13.03 | 1.40 | 1.35 | 12.70 | 9.70 | 30.0-32.0 | 27.0-29.0 | 33.00 |
| 110606131 | 1 1/8 x 7/8 | 28.65-29.04 | 22.28-22.64 | 1.30 | 1.30 | 23.10 | 19.10 | 41.5-43.0 | 42.0-44.0 | 116.20 |
| 110606168 | 1 3/8 x 1 1/8 | 35.00-35.43 | 28.65-29.05 | 1.40 | 1.50 | 24.60 | 23.10 | 67.6-69.6 | 59.0-61.0 | 159.60 |

45° Street Elbow FTGxC



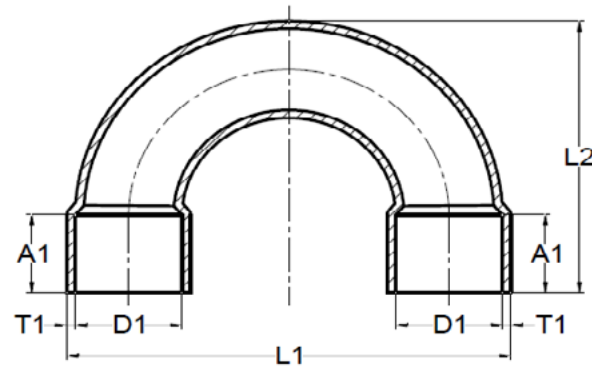
| CB Item | OD Size (in) | D1 (mm) | D2 (mm) | T1 (min.) (mm) | A1 (Min.) (mm) | A2 (Min.) (mm) | L1 (mm) | L2 (mm) | Approx. Net WT (g) |
|-----------|--------------|---------------|---------------|----------------|----------------|----------------|-----------|-----------|--------------------|
| 110618002 | 3/8 | 9.58-9.82 | 9.31-9.55 | 0.76 | 7.90 | 9.70 | 12.0-13.5 | 13.5-15.5 | 6.00 |
| 110618004 | 1/2 | 12.75-13.03 | 12.45-12.73 | 1.00 | 9.70 | 11.20 | 13.0-15.0 | 16.5-18.5 | 13.00 |
| 110618005 | 5/8 | 15.93-16.21 | 15.62-15.90 | 0.75 | 12.70 | 14.20 | 19.0-20.5 | 22.0-23.5 | 17.00 |
| 110618006 | 3/4 | 19.10-19.38 | 18.80-19.08 | 1.05 | 15.70 | 17.50 | 22.0-23.5 | 25.5-27.5 | 29.50 |
| 110618007 | 7/8 | 22.28-22.64 | 21.89-22.25 | 1.00 | 19.10 | 20.60 | 26.5-28.0 | 30.5-32.0 | 44.30 |
| 110618010 | 1 1/8 | 28.65-29.04 | 28.24-28.63 | 1.20 | 23.10 | 24.60 | 31.5-33.0 | 36.0-37.5 | 77.00 |
| 110618012 | 1 3/8 | 35.00-35.43 | 34.55-34.98 | 1.35 | 24.60 | 26.20 | 36.0-37.5 | 40.5-42.5 | 114.50 |
| 110618015 | 1 5/8 | 41.35-41.81 | 40.87-41.33 | 1.45 | 27.70 | 29.50 | 40.5-43.0 | 45.5-47.5 | 166.50 |
| 110618020 | 2 1/8 | 54.05-54.53 | 53.55-54.03 | 1.55 | 34.00 | 35.80 | 49.5-52.0 | 55.5-57.5 | 280.50 |
| 110618025 | 2 5/8 | 66.75-67.35 | 66.13-66.73 | 1.95 | 37.30 | 38.90 | 59.0-61.5 | 66.5-68.0 | 509.00 |
| 110618030 | 3 1/8 | 79.45-80.15 | 78.73-79.43 | 2.20 | 42.20 | 43.70 | 66.0-68.0 | 72.5-74.5 | 756.00 |
| 110618040 | 4 1/8 | 104.85-105.65 | 104.03-104.83 | 2.80 | 54.90 | 56.40 | 85.5-87.0 | 96.0-98.0 | 1461.00 |

45° Elbow CxC



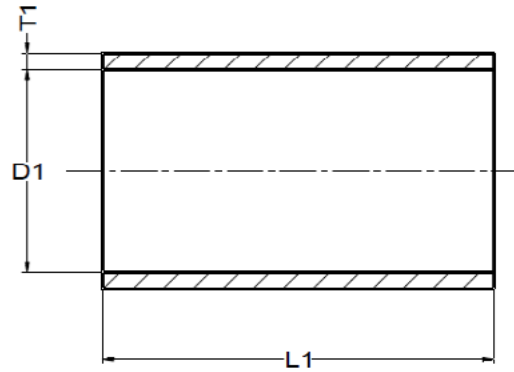
| CB Item | OD Size (in) | D1 (mm) | T1 (Min.) (mm) | A1 (Min.) (mm) | L1 (mm) | Approx. Net WT. (g) |
|-----------|--------------|---------------|----------------|----------------|-----------|---------------------|
| 110617000 | 1/4 | 6.40-6.64 | 0.70 | 6.40 | 10.5-12.0 | 4.50 |
| 110617002 | 3/8 | 9.58-9.82 | 0.80 | 7.90 | 12.5-14.0 | 6.50 |
| 110617004 | 1/2 | 12.75-13.03 | 1.05 | 9.70 | 14.5-16.5 | 13.80 |
| 110617005 | 5/8 | 15.93-16.21 | 0.80 | 12.70 | 19.0-20.5 | 16.50 |
| 110617006 | 3/4 | 19.10-19.38 | 0.90 | 15.70 | 23.0-24.5 | 29.00 |
| 110617007 | 7/8 | 22.28-22.64 | 1.10 | 19.10 | 27.5-29.5 | 43.50 |
| 110617010 | 1 1/8 | 28.65-29.04 | 1.20 | 23.10 | 35.0-37.0 | 87.00 |
| 110617012 | 1 3/8 | 35.00-35.43 | 1.25 | 24.60 | 37.5-39.5 | 115.50 |
| 110617015 | 1 5/8 | 41.35-41.81 | 1.40 | 27.70 | 43.5-45.0 | 170.50 |
| 110617020 | 2 1/8 | 54.05-54.53 | 1.50 | 34.00 | 51.5-53.5 | 274.00 |
| 110617025 | 2 5/8 | 66.75-67.35 | 1.80 | 37.30 | 62.0-63.5 | 502.00 |
| 110617030 | 3 1/8 | 79.45-80.15 | 2.09 | 42.20 | 68.0-69.5 | 739.00 |
| 110617040 | 4 1/8 | 104.85-105.65 | 2.50 | 54.90 | 85.5-87.5 | 1397.00 |

Return Bend CxC



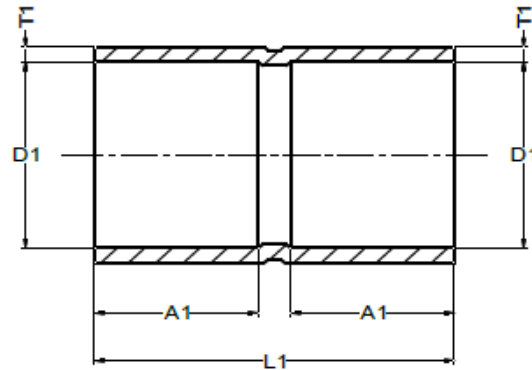
| CB Item | OD Size (in) | D1 (mm) | T1 (Min.) (mm) | A1 (Min.) (mm) | L1 (mm) | L2 (mm) | Approx. Net WT. (g) |
|-----------|---------------|-------------|----------------|----------------|-------------|-------------|---------------------|
| 110622002 | 3/8 x 1 1/2 | 9.58-9.82 | 0.58 | 7.90 | 48.0-50.0 | 30.0-32.0 | 15.00 |
| 110622205 | 5/8 x 2 1/2 | 12.75-13.03 | 0.85 | 9.70 | 51.7-53.7 | 34.5-36.5 | 25.40 |
| 110622007 | 7/8 x 2 1/2 | 22.28-22.64 | 0.95 | 19.10 | 87.0-89.0 | 60.0-62.0 | 101.50 |
| 110622207 | 7/8 x 3 1/8 | 15.93-16.21 | 0.85 | 12.70 | 74.0-76.0 | 47.5-49.5 | 46.30 |
| 110622010 | 1 1/8 x 3 | 28.65-29.04 | 1.15 | 23.10 | 106.0-109.0 | 73.0-75.5 | 179.00 |
| 110622012 | 1 3/8 x 4 | 35.00-35.43 | 1.10 | 24.60 | 132.5-134.5 | 87.5-89.5 | 262.00 |
| 110622015 | 1 5/8 x 4 3/8 | 41.35-41.81 | 1.40 | 27.70 | 156.5-158.5 | 107.0-109.0 | 410.00 |
| 110622020 | 2 1/8 x 5 1/2 | 54.05-54.53 | 1.65 | 34.00 | 196.5-199.5 | 122.5-124.5 | 779.50 |

Coupling Without Stop CxC



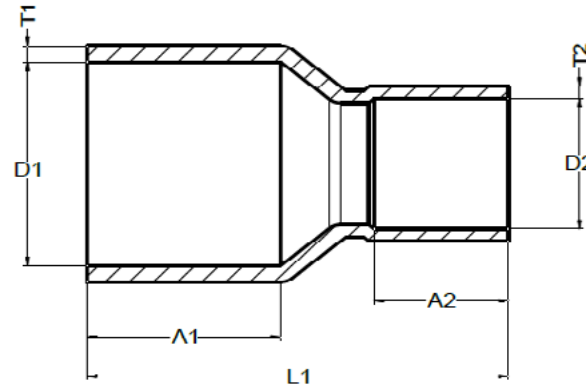
| CB Item | OD Size (in) | D1 (mm) | T1(Min.) (mm) | L1 (mm) | Approx. Net WT. (g) |
|-----------|--------------|-------------|---------------|-----------|---------------------|
| 110628000 | 1/4 | 6.40-6.64 | 0.70 | 13.0-15.0 | 2.30 |
| 110628002 | 3/8 | 9.58-9.82 | 0.70 | 18.0-20.0 | 4.30 |
| 110628004 | 1/2 | 12.75-13.03 | 0.85 | 19.5-21.5 | 6.50 |
| 110628005 | 5/8 | 15.93-16.21 | 0.85 | 25.5-28.0 | 10.50 |
| 110628006 | 3/4 | 19.10-19.38 | 0.90 | 31.0-34.0 | 18.50 |
| 110628007 | 7/8 | 22.28-22.64 | 1.40 | 40.5-43.0 | 40.00 |
| 110628010 | 1 1/8 | 28.65-29.04 | 1.15 | 46.5-48.5 | 48.00 |
| 110628012 | 1 3/8 | 35.00-35.43 | 1.30 | 48.5-50.5 | 65.50 |
| 110628015 | 1 5/8 | 41.35-41.81 | 1.45 | 55.5-58.0 | 102.00 |

Rolled Coupling CxC



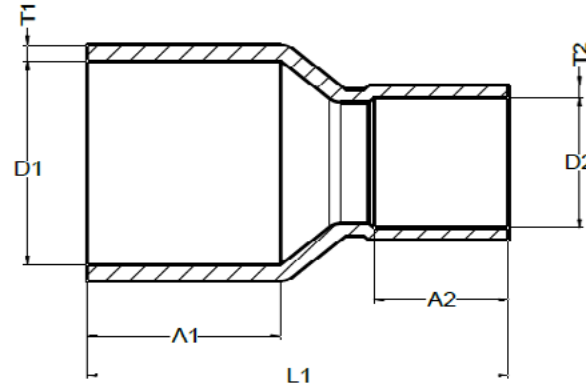
| CB Item | OD Size (in) | D1 (mm) | T1 (min.) (mm) | A1 (Min.) (mm) | L1 (mm) | Approx. Net WT. (g) |
|-----------|--------------|---------------|----------------|----------------|-------------|---------------------|
| 110629000 | 1/4 | 6.40-6.64 | 0.70 | 6.40 | 15.0-17.0 | 3.00 |
| 110629001 | 3/16 | 4.81-4.92 | 0.65 | 6.00 | 16.0-17.0 | 1.90 |
| 110629003 | 5/16 | 7.99-8.23 | 0.80 | 7.90 | 17.5-20.0 | 4.00 |
| 110629002 | 3/8 | 9.58-9.82 | 0.74 | 7.90 | 17.0-19.5 | 4.50 |
| 110629004 | 1/2 | 12.75-13.03 | 0.76 | 10.40 | 21.5-23.5 | 7.00 |
| 110629005 | 5/8 | 15.93-16.21 | 0.85 | 12.70 | 26.5-29.5 | 13.50 |
| 110629006 | 3/4 | 19.10-19.38 | 0.90 | 15.70 | 33.5-35.5 | 19.50 |
| 110629007 | 7/8 | 22.28-22.64 | 1.30 | 19.10 | 40.5-43.0 | 40.50 |
| 110629010 | 1 1/8 | 28.65-29.04 | 1.45 | 23.10 | 48.5-51.0 | 69.50 |
| 110629012 | 1 3/8 | 35.00-35.43 | 1.27 | 24.60 | 51.0-53.5 | 71.00 |
| 110629015 | 1 5/8 | 41.35-41.81 | 1.41 | 27.70 | 58.0-60.0 | 102.50 |
| 110629020 | 2 1/8 | 54.05-54.53 | 1.55 | 34.00 | 71.5-73.5 | 191.50 |
| 110629025 | 2 5/8 | 66.75-67.35 | 1.84 | 37.30 | 81.5-84.0 | 320.50 |
| 110629030 | 3 1/8 | 79.45-80.15 | 2.00 | 42.20 | 92.5-95.0 | 468.50 |
| 110629035 | 3 5/8 | 92.15-92.40 | 2.37 | 48.50 | 105.5-107.5 | 691.50 |
| 110629040 | 4 1/8 | 104.85-105.65 | 2.35 | 54.90 | 117.5-120.0 | 888.50 |

Reducing Coupling CxC - 1



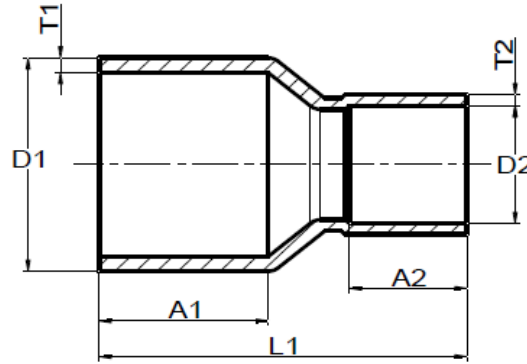
| CB Item | OD Size (in) | D1 (mm) | D2 (mm) | T1 (Min.) (mm) | T2 (Min.) (mm) | A1 (Min.) (mm) | A2 (Min.) (mm) | L1 (mm) | Approx. NetWT. (g) |
|------------|--------------|-------------|-------------|----------------|----------------|----------------|----------------|-----------|--------------------|
| 110629032 | 3/8 x 5/16 | 9.58-9.82 | 7.99-8.23 | 0.80 | 0.80 | 7.90 | 7.90 | 19.0-22.0 | 5.00 |
| 110629057 | 3/8 x 1/4 | 9.58-9.82 | 6.40-6.51 | 0.76 | 0.67 | 7.90 | 6.40 | 19.0-21.0 | 4.50 |
| 110629060 | 1/2 x 3/8 | 12.75-13.03 | 9.58-9.82 | 0.75 | 0.80 | 9.70 | 7.90 | 23.0-25.5 | 7.50 |
| 110629072 | 1/2 x 1/4 | 12.75-13.03 | 6.40-6.64 | 0.85 | 0.70 | 9.70 | 6.40 | 23.0-25.0 | 7.50 |
| 110629080 | 3/4 x 1/2 | 19.10-19.38 | 12.75-13.03 | 0.90 | 0.85 | 15.70 | 9.70 | 32.5-34.5 | 19.50 |
| 110629081 | 3/4 x 5/8 | 19.10-19.38 | 15.93-16.21 | 0.90 | 0.85 | 15.70 | 12.70 | 36.0-38.0 | 21.00 |
| 110629082 | 3/4 x 3/8 | 19.10-19.38 | 9.58-9.82 | 0.90 | 0.80 | 15.70 | 7.90 | 34.5-36.5 | 20.00 |
| 110629083 | 5/8 x 1/4 | 15.93-16.21 | 6.40-6.51 | 0.85 | 0.70 | 12.70 | 6.40 | 30.5-32.5 | 14.50 |
| 110629084 | 5/8 x 3/8 | 15.93-16.21 | 9.58-9.82 | 0.85 | 0.80 | 12.70 | 7.90 | 28.0-30.0 | 14.00 |
| 110629085 | 5/8 x 1/2 | 15.93-16.21 | 12.75-13.03 | 0.81 | 0.81 | 12.70 | 9.70 | 28.5-31.0 | 13.80 |
| 110629094 | 7/8 x 3/8 | 22.28-22.64 | 9.58-9.82 | 1.00 | 1.00 | 19.10 | 7.90 | 36.5-39.0 | 26.00 |
| 110629095 | 7/8 x 1/2 | 22.28-22.64 | 12.75-13.03 | 1.10 | 1.45 | 19.10 | 9.70 | 39.0-41.0 | 31.00 |
| 110629096 | 7/8 x 5/8 | 22.28-22.64 | 15.93-16.21 | 1.05 | 1.35 | 19.10 | 12.70 | 39.5-41.5 | 32.50 |
| 110629102 | 7/8 x 3/4 | 22.28-22.64 | 19.10-19.38 | 1.05 | 1.20 | 19.10 | 15.70 | 40.5-42.0 | 32.50 |
| 110629104 | 1 1/8 x 1/2 | 28.65-29.04 | 12.75-13.03 | 1.10 | 1.10 | 23.10 | 9.70 | 45.7-47.7 | 47.20 |
| 110629105 | 1 1/8 x 5/8 | 28.65-29.04 | 15.93-16.21 | 1.25 | 1.15 | 23.10 | 12.70 | 47.0-49.5 | 51.00 |
| 1106291306 | 1 1/8 x 3/4 | 28.65-29.04 | 19.10-19.38 | 1.25 | 1.15 | 23.10 | 15.70 | 48.0-50.5 | 52.00 |
| 110629109 | 1 1/8 x 7/8 | 28.65-29.04 | 22.28-22.64 | 1.25 | 1.15 | 23.10 | 19.10 | 51.0-53.5 | 57.00 |
| 110629145 | 1 3/8 x 5/8 | 35.00-35.43 | 15.93-16.21 | 1.40 | 1.20 | 24.60 | 12.70 | 53.0-55.0 | 72.10 |
| 110629147 | 1 3/8 x 7/8 | 35.00-35.43 | 22.28-22.64 | 1.35 | 1.25 | 24.60 | 19.10 | 55.0-58.0 | 77.00 |

Reducing Coupling CxC - 2



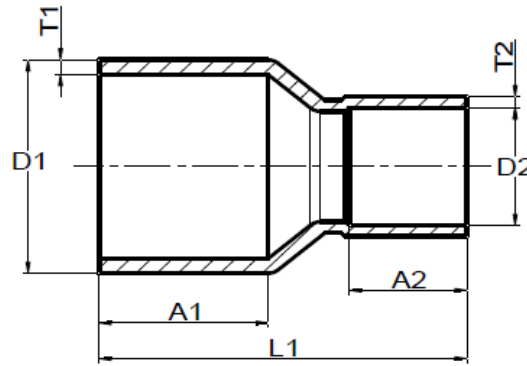
| CB Item | OD Size (in) | D1 (mm) | D2 (mm) | T1 (Min.) (mm) | T2 (Min.) (mm) | A1 (Min.) (mm) | A2 (Min.) (mm) | L1 (mm) | Approx. Net WT. (g) |
|-----------|---------------|---------------|-------------|----------------|----------------|----------------|----------------|-------------|---------------------|
| 110629151 | 1 3/8 x 1 1/8 | 35.00-35.43 | 28.65-29.04 | 1.40 | 1.25 | 24.60 | 23.10 | 57.5-59.5 | 83.50 |
| 110629155 | 1 5/8 x 5/8 | 41.35-41.81 | 15.93-16.21 | 1.50 | 1.35 | 27.70 | 12.70 | 59.0-61.0 | 98.50 |
| 110629157 | 1 5/8 x 7/8 | 41.35-41.81 | 22.28-22.64 | 1.45 | 0.95 | 27.70 | 19.10 | 62.0-64.5 | 100.00 |
| 110629161 | 1 5/8 x 1 1/8 | 41.35-41.81 | 28.65-29.04 | 1.40 | 1.35 | 27.70 | 23.10 | 63.5-65.5 | 110.00 |
| 110629215 | 1 5/8 x 1 3/8 | 41.35-41.81 | 35.00-35.43 | 1.40 | 1.25 | 27.70 | 24.60 | 65.0-67.5 | 119.00 |
| 110629250 | 2 1/8 x 5/8 | 54.05-54.53 | 15.93-16.21 | 1.65 | 0.85 | 34.00 | 12.70 | 71.5-73.5 | 153.50 |
| 110629251 | 2 1/8 x 7/8 | 54.05-54.53 | 22.28-22.64 | 1.55 | 0.95 | 34.00 | 19.10 | 74.0-76.0 | 160.50 |
| 110629205 | 2 1/8 x 1 1/8 | 54.05-54.53 | 28.65-29.04 | 1.55 | 1.15 | 34.00 | 23.10 | 75.5-77.5 | 168.00 |
| 110629252 | 2 1/8 x 1 3/8 | 54.05-54.53 | 35.00-35.43 | 1.55 | 1.30 | 34.00 | 24.60 | 74.5-77.0 | 167.50 |
| 110629214 | 2 1/8 x 1 5/8 | 54.05-54.53 | 41.35-41.53 | 1.60 | 1.45 | 34.00 | 27.70 | 76.0-78.0 | 179.70 |
| 110629289 | 2 5/8 x 1 1/8 | 66.75-67.35 | 28.65-29.04 | 1.55 | 0.95 | 37.30 | 23.10 | 85.5-87.5 | 217.50 |
| 110629290 | 2 5/8 x 1 3/8 | 66.75-67.35 | 35.00-35.43 | 1.95 | 1.30 | 37.30 | 24.60 | 84.0-86.0 | 261.50 |
| 110629291 | 2 5/8 x 1 5/8 | 66.75-67.35 | 41.35-41.53 | 1.95 | 1.45 | 37.30 | 27.70 | 87.5-89.5 | 298.00 |
| 110629292 | 2 5/8 x 2 1/8 | 66.75-67.35 | 54.05-54.53 | 1.90 | 1.65 | 37.30 | 34.00 | 87.0-89.5 | 301.00 |
| 110629337 | 3 1/8 x 1 5/8 | 79.45-80.15 | 41.35-41.53 | 2.05 | 1.45 | 42.20 | 27.70 | 97.5-99.5 | 381.00 |
| 110629338 | 3 1/8 x 2 1/8 | 79.45-80.15 | 54.05-54.53 | 2.00 | 1.65 | 42.20 | 34.00 | 97.0-99.0 | 409.00 |
| 110629339 | 3 1/8 x 2 5/8 | 79.45-80.15 | 66.75-67.35 | 1.80 | 1.95 | 42.20 | 37.30 | 100.5-103.0 | 457.00 |
| 110629341 | 3 5/8 x 3 1/8 | 92.15-92.90 | 79.45-80.15 | 2.13 | 1.85 | 48.50 | 42.20 | 107.0-108.5 | 619.00 |
| 110629421 | 4 1/8 x 2 5/8 | 104.85-105.65 | 66.75-67.35 | 2.80 | 1.95 | 54.90 | 37.30 | 124.5-126.5 | 950.00 |
| 110629422 | 4 1/8 x 3 1/8 | 104.85-105.65 | 79.45-80.15 | 2.20 | 1.90 | 54.90 | 42.20 | 124.0-126.0 | 808.00 |

Fitting Reducer FTGxC - 1



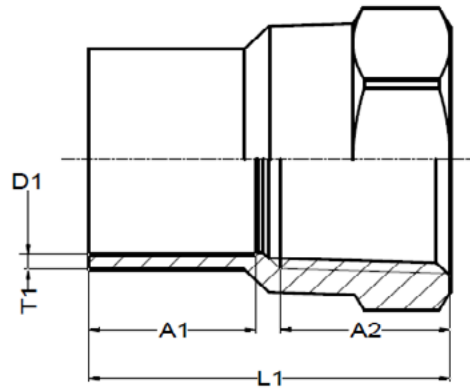
| CB Item | OD Size (in) | D1 (mm) | D2 (mm) | T1 (Min.) (mm) | T2 (Min.) (mm) | A1 (Min.) (mm) | A2 (Min.) (mm) | L1 (mm) | Approx. Net WT. (g) |
|------------|---------------|-------------|-------------|----------------|----------------|----------------|----------------|-----------|---------------------|
| 110637057 | 3/8 x 1/4 | 9.31-9.55 | 6.40-6.64 | 0.70 | 0.70 | 9.70 | 6.40 | 20.0-22.0 | 4.00 |
| 110637058 | 1/2 x 1/4 | 12.45-12.73 | 6.40-6.64 | 0.85 | 0.70 | 11.20 | 6.40 | 23.8-25.8 | 6.60 |
| 110637074 | 1/2 x 3/8 | 12.45-12.73 | 9.58-9.82 | 0.81 | 0.76 | 11.20 | 7.90 | 23.0-25.0 | 6.50 |
| 1106370812 | 3/4 x 3/8 | 18.80-19.08 | 9.58-9.82 | 0.90 | 0.80 | 17.50 | 7.90 | 33.0-35.0 | 17.50 |
| 1106370814 | 3/4 x 1/2 | 18.80-19.08 | 12.75-13.03 | 0.90 | 0.85 | 17.50 | 9.70 | 35.5-37.5 | 18.00 |
| 110637081 | 3/4 x 5/8 | 18.80-19.08 | 15.93-16.21 | 0.90 | 0.85 | 17.50 | 12.70 | 34.5-37.0 | 18.00 |
| 110637084 | 5/8 x 3/8 | 15.62-15.90 | 9.58-9.82 | 0.85 | 0.80 | 14.20 | 7.90 | 29.0-31.5 | 12.50 |
| 110637085 | 5/8 x 1/2 | 15.62-15.90 | 12.75-13.03 | 0.85 | 0.85 | 14.20 | 9.70 | 30.5-32.5 | 13.00 |
| 110637094 | 7/8 x 3/8 | 21.89-22.25 | 9.58-9.82 | 1.00 | 1.10 | 20.60 | 7.90 | 38.5-40.5 | 25.00 |
| 110637095 | 7/8 x 1/2 | 21.89-22.25 | 12.75-13.03 | 1.10 | 1.20 | 20.60 | 9.70 | 39.0-41.0 | 28.00 |
| 110637096 | 7/8 x 5/8 | 21.89-22.25 | 15.93-16.21 | 1.10 | 1.25 | 20.60 | 12.70 | 40.5-43.0 | 29.00 |
| 110637102 | 7/8 x 3/4 | 21.89-22.25 | 19.10-19.38 | 1.10 | 1.10 | 20.60 | 15.70 | 42.0-44.0 | 30.00 |
| 110637103 | 1 1/8 x 1/2 | 28.24-28.63 | 12.75-12.87 | 1.30 | 1.25 | 24.60 | 9.70 | 46.0-48.0 | 43.50 |
| 110637104 | 1 1/8 x 5/8 | 28.24-28.63 | 15.93-16.05 | 1.30 | 1.30 | 24.60 | 12.70 | 46.0-48.5 | 45.00 |
| 1106371306 | 1 1/8 x 3/4 | 28.24-28.63 | 19.10-19.22 | 1.30 | 1.20 | 24.60 | 15.70 | 47.0-49.0 | 46.50 |
| 110637109 | 1 1/8 x 7/8 | 28.24-28.63 | 22.28-22.40 | 1.30 | 1.40 | 24.60 | 19.10 | 51.0-53.5 | 52.00 |
| 110637145 | 1 3/8 x 5/8 | 34.55-34.98 | 15.93-16.05 | 1.50 | 1.40 | 26.20 | 12.70 | 51.0-53.5 | 64.00 |
| 110637149 | 1 3/8 x 7/8 | 34.55-34.98 | 22.28-22.40 | 1.40 | 1.35 | 26.20 | 19.10 | 54.5-57.0 | 72.00 |
| 110637151 | 1 3/8 x 1 1/8 | 34.55-34.98 | 28.65-28.80 | 1.35 | 1.20 | 26.20 | 23.10 | 56.0-58.0 | 76.50 |
| 110637155 | 1 5/8 x 5/8 | 40.87-41.33 | 15.93-16.05 | 1.55 | 1.50 | 29.50 | 12.70 | 58.5-61.0 | 90.00 |
| 110637157 | 1 5/8 x 7/8 | 40.87-41.33 | 22.28-22.40 | 1.55 | 1.25 | 29.50 | 19.10 | 61.0-63.5 | 97.50 |

Fitting Reducer FTGxC - 2



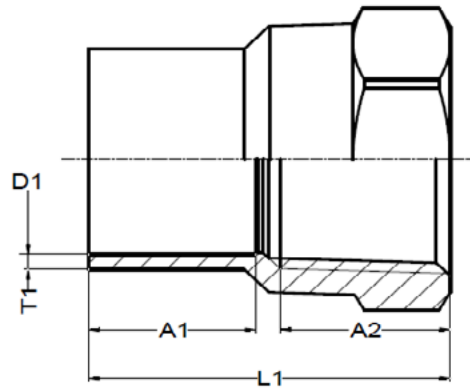
| CB Item | OD Size (in) | D1 (mm) | D2 (mm) | T1 (Min.) (mm) | T2 (Min.) (mm) | A1 (Min.) (mm) | A2 (Min.) (mm) | L1 (mm) | Approx. Net WT. (g) |
|-----------|---------------|---------------|-------------|----------------|----------------|----------------|----------------|-------------|---------------------|
| 110637161 | 1 5/8 x 1 1/8 | 40.87-41.33 | 28.65-28.80 | 1.30 | 1.30 | 29.50 | 23.10 | 66.0-68.0 | 108.50 |
| 110637164 | 1 5/8 x 1 3/8 | 40.87-41.33 | 35.00-35.15 | 1.50 | 1.30 | 29.50 | 24.60 | 62.0-64.5 | 108.50 |
| 110637205 | 2 1/8 x 1 1/8 | 53.55-54.03 | 28.65-28.80 | 1.50 | 1.15 | 35.80 | 23.10 | 77.0-79.0 | 163.00 |
| 110637214 | 2 1/8 x 1 5/8 | 53.55-54.03 | 41.35-41.53 | 1.55 | 1.38 | 35.80 | 27.70 | 76.0-78.0 | 176.50 |
| 110637215 | 2 1/8 x 1 3/8 | 53.55-54.03 | 35.00-35.15 | 1.63 | 1.30 | 35.80 | 24.60 | 74.5-77.0 | 169.00 |
| 110637250 | 2 1/8 x 5/8 | 53.55-54.03 | 15.93-16.05 | 1.65 | 0.85 | 35.80 | 12.70 | 72.0-74.5 | 148.00 |
| 110637251 | 2 1/8 x 7/8 | 53.55-54.03 | 22.28-22.40 | 1.65 | 0.95 | 35.80 | 19.10 | 74.0-76.0 | 151.00 |
| 110637289 | 2 5/8 x 1 5/8 | 66.13-66.73 | 41.35-41.53 | 1.80 | 1.45 | 38.90 | 27.70 | 84.5-86.5 | 259.00 |
| 110637290 | 2 5/8 x 1 3/8 | 66.13-66.73 | 35.00-35.15 | 1.95 | 1.30 | 38.90 | 24.60 | 82.5-84.5 | 240.00 |
| 110637291 | 2 5/8 x 1 1/8 | 66.13-66.73 | 28.65-28.80 | 1.95 | 1.15 | 38.90 | 23.10 | 87.0-89.0 | 246.00 |
| 110637292 | 2 5/8 x 2 1/8 | 66.13-66.73 | 54.05-54.25 | 1.90 | 1.65 | 38.90 | 34.00 | 87.0-89.0 | 292.50 |
| 110637336 | 3 1/8 x 1 3/8 | 78.73-79.43 | 35.00-35.15 | 2.20 | 1.30 | 43.70 | 24.60 | 97.0-99.0 | 357.00 |
| 110637338 | 3 1/8 x 2 1/8 | 78.73-79.43 | 54.05-54.25 | 2.20 | 1.65 | 43.70 | 34.00 | 97.5-99.5 | 402.50 |
| 110637339 | 3 1/8 x 2 5/8 | 78.73-79.43 | 66.75-67.00 | 2.10 | 1.95 | 43.70 | 37.30 | 96.0-98.0 | 431.00 |
| 110637360 | 3 5/8 x 2 1/8 | 91.38-92.13 | 54.05-54.53 | 2.30 | 1.65 | 50.00 | 34.00 | 112.0-114.0 | 581.70 |
| 110637361 | 3 5/8 x 3 1/8 | 91.38-92.13 | 78.73-79.43 | 2.50 | 2.20 | 50.00 | 42.20 | 104.0-106.0 | 597.00 |
| 110637362 | 3 5/8 x 2 5/8 | 91.38-92.13 | 66.75-67.35 | 2.30 | 1.95 | 50.00 | 37.30 | 103.5-105.5 | 551.10 |
| 110637420 | 4 1/8 x 2 1/8 | 104.03-104.83 | 54.05-54.25 | 2.80 | 1.65 | 56.40 | 34.00 | 121.0-123.0 | 772.00 |
| 110637421 | 4 1/8 x 2 5/8 | 104.03-104.83 | 66.75-67.35 | 2.80 | 1.95 | 56.40 | 37.30 | 121.0-123.0 | 930.00 |
| 110637422 | 4 1/8 x 3 1/8 | 104.03-104.83 | 79.45-79.70 | 2.55 | 2.20 | 56.40 | 42.20 | 119.5-122.5 | 849.00 |
| 110637423 | 4 1/8 x 3 5/8 | 104.03-104.83 | 92.15-92.90 | 2.80 | 2.50 | 56.40 | 48.50 | 113.5-115.5 | 846.00 |

Adapter CxFPT - 1



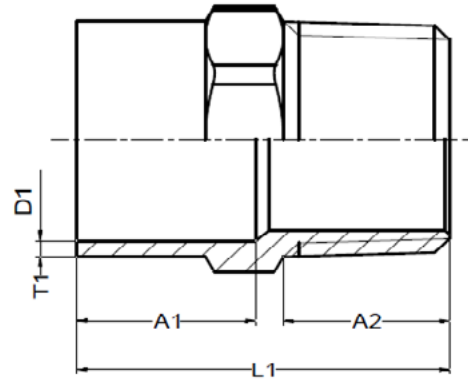
| CB Item | OD x NPT Size (in) | D1 (mm) | T1 (Min.) (mm) | A1 (Min.) (mm) | A2 (Min.) (mm) | L1 (mm) | Approx. Net WT. (g) |
|------------|--------------------|-------------|----------------|----------------|----------------|-----------|---------------------|
| 110635027 | 1/4 x 1/8 | 6.40-6.64 | 0.50 | 6.40 | 8.00 | 18.0-20.0 | |
| 110635000 | 1/4 x 1/4 | 6.40-6.64 | 0.50 | 6.40 | 9.00 | 19.5-21.0 | 15.70 |
| 110635031 | 3/8 x 1/8 | 9.58-9.82 | 0.60 | 7.90 | 8.00 | 17.5-19.5 | 9.70 |
| 110635057 | 3/8 x 1/4 | 9.58-9.69 | 0.60 | 7.90 | 11.00 | 19.5-21.5 | 14.00 |
| 110635032 | 3/8 x 3/8 | 9.58-9.82 | 0.60 | 7.90 | 9.00 | 21.5-23.5 | 23.50 |
| 110635058 | 1/2 x 1/4 | 12.75-13.03 | 0.65 | 9.70 | 9.00 | 20.5-22.5 | 12.70 |
| 110635060 | 1/2 x 3/8 | 12.75-13.03 | 0.65 | 9.70 | 12.50 | 22.4-24.4 | 23.00 |
| 110635004 | 1/2 x 1/2 | 12.75-13.03 | 0.65 | 9.70 | 12.50 | 29.5-32.5 | 24.70 |
| 110635083 | 5/8 x 1/4 | 15.93-16.21 | 0.70 | 12.70 | 11.50 | 22.0-25.0 | 18.50 |
| 110635084 | 5/8 x 3/8 | 15.93-16.21 | 0.70 | 12.70 | 11.00 | 22.0-25.0 | 16.00 |
| 110635085 | 5/8 x 1/2 | 15.93-16.21 | 0.70 | 12.70 | 14.00 | 27.0-30.0 | 26.50 |
| 110635087 | 5/8 x 3/4 | 15.93-16.21 | 0.70 | 12.70 | 16.00 | 32.0-35.0 | 50.00 |
| 1106350814 | 3/4 x 1/2 | 19.10-19.38 | 0.79 | 15.70 | 13.00 | 29.0-31.0 | 29.00 |
| 110635006 | 3/4 x 3/4 | 19.10-19.38 | 0.79 | 15.70 | 15.00 | 37.0-40.0 | 45.60 |
| 110635095 | 7/8 x 1/2 | 22.28-22.64 | 0.80 | 19.10 | 14.00 | 34.5-37.0 | 40.50 |

Adapter CxFPT - 2



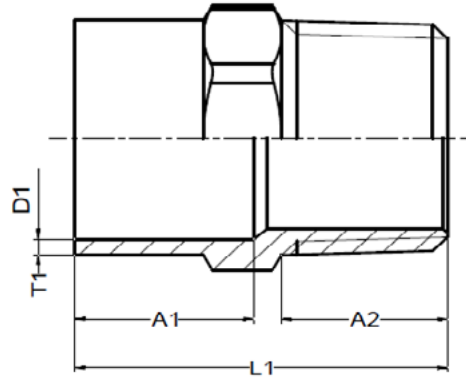
| CB Item | OD x NPT Size (in) | D1 (mm) | T1 (Min.) (mm) | A1 (Min.) (mm) | A2 (Min.) (mm) | L1 (mm) | Approx. Net WT. (g) |
|-----------|--------------------|-------------|----------------|----------------|----------------|-----------|---------------------|
| 110635102 | 7/8 x 3/4 | 22.28-22.64 | 0.80 | 19.10 | 15.00 | 36.0-39.0 | 45.50 |
| 110635104 | 7/8 x 1 | 22.28-22.64 | 0.80 | 19.10 | 18.00 | 37.5-39.5 | 92.00 |
| 110635130 | 1 1/8 x 1/2 | 28.65-29.04 | 0.90 | 23.10 | 13.00 | 39.2-40.8 | 71.30 |
| 110635106 | 1 1/8 x 3/4 | 28.65-29.04 | 0.95 | 23.10 | 16.00 | 38.0-41.0 | 66.00 |
| 110635137 | 1 1/8 x 1 | 28.65-29.04 | 0.95 | 23.10 | 18.00 | 42.0-46.0 | 85.50 |
| 110635114 | 1 1/8 x 1 1/4 | 28.65-29.04 | 0.95 | 23.10 | 23.50 | 45.0-47.5 | 123.00 |
| 110635168 | 1 3/8 x 1 | 35.00-35.43 | 1.12 | 24.60 | 17.00 | 43.5-44.0 | 118.60 |
| 110635152 | 1 3/8 x 1 1/4 | 35.00-35.15 | 1.05 | 24.60 | 20.50 | 47.0-50.0 | 122.50 |
| 110635169 | 1 3/8 x 1 1/2 | 35.00-35.43 | 1.30 | 24.60 | 18.00 | 53.0-57.0 | 175.00 |
| 110635164 | 1 5/8 x 1 1/2 | 41.35-41.53 | 1.25 | 27.70 | 21.50 | 50.0-54.0 | 173.00 |
| 110635216 | 1 5/8 x 2 | 41.35-41.81 | 1.40 | 27.70 | 21.00 | 65.5-67.0 | 222.00 |
| 110635254 | 2 1/8 x 1 1/2 | 54.05-54.53 | 1.45 | 34.00 | 21.00 | 59.5-61.5 | 182.00 |
| 110635020 | 2 1/8 x 2 | 54.05-54.25 | 1.45 | 34.00 | 21.00 | 58.0-62.0 | 248.50 |
| 110635025 | 2 5/8 x 2 1/2 | 66.75-67.35 | 1.65 | 37.30 | 28.00 | 68.0-68.5 | 487.00 |
| 110635030 | 3 1/8 x 3 | 79.45-79.70 | 1.80 | 42.20 | 32.00 | 81.0-84.0 | |

Adapter CxMPT - 1



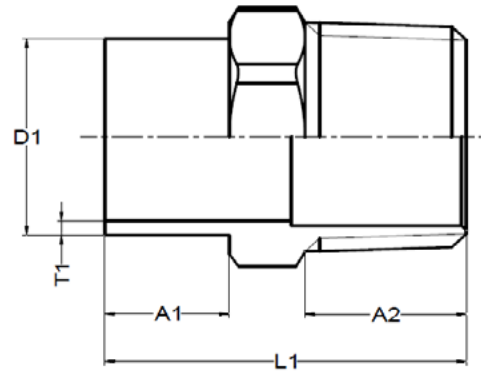
| CB Item | OD x NPT Size (in) | D1 (mm) | T1 (Min.) (mm) | A1 (Min.) (mm) | A2 (Min.) (mm) | L1 (mm) | Approx. Net WT. (g) |
|-----------|--------------------|-------------|----------------|----------------|----------------|-----------|---------------------|
| 110636057 | 3/8 x 1/4 | 9.58-9.82 | 0.65 | 7.90 | 9.00 | 21.0-23.0 | 12.00 |
| 110636032 | 3/8 x 3/8 | 9.58-9.82 | 0.60 | 7.90 | 9.00 | 26.0-28.0 | 19.70 |
| 110636034 | 3/8 x 1/2 | 9.58-9.82 | 0.60 | 7.90 | 12.50 | 31.2-31.8 | 30.60 |
| 110636058 | 1/2 x 1/4 | 12.75-13.03 | 0.65 | 9.70 | 9.00 | 21.0-23.0 | 10.20 |
| 110636060 | 1/2 x 3/8 | 12.75-12.87 | 0.66 | 9.70 | 11.50 | 23.0-23.5 | 18.00 |
| 110636005 | 1/2 x 1/2 | 12.75-13.03 | 0.65 | 9.70 | 12.50 | 34.5-36.5 | 29.50 |
| 110636083 | 5/8 x 1/4 | 15.93-16.21 | 0.74 | 12.70 | 11.50 | 27.0-27.5 | 19.00 |
| 110636084 | 5/8 x 3/8 | 15.93-16.21 | 0.74 | 12.70 | 11.00 | 25.5-28.0 | 18.00 |
| 110636085 | 5/8 x 1/2 | 15.93-16.21 | 0.74 | 12.70 | 14.00 | 25.0-27.0 | 27.00 |
| 110636087 | 5/8 x 3/4 | 15.93-16.21 | 0.74 | 12.70 | 16.00 | 33.5-36.5 | 58.50 |
| 110636089 | 5/8 x 1 | 15.93-16.21 | 0.74 | 12.70 | 18.00 | 43.0-46.0 | 86.40 |
| 110636101 | 3/4 x 1/2 | 19.10-19.38 | 0.79 | 15.70 | 14.00 | 32.5-33.5 | 29.50 |
| 110636006 | 3/4 x 3/4 | 19.10-19.38 | 0.79 | 15.70 | 14.00 | 30.0-32.0 | 44.20 |
| 110636095 | 7/8 x 1/2 | 22.28-22.64 | 0.84 | 19.10 | 14.00 | 36.5-39.0 | 41.70 |
| 110636102 | 7/8 x 3/4 | 22.28-22.64 | 0.84 | 19.10 | 16.00 | 34.5-36.5 | 43.50 |
| 110636104 | 7/8 x 1 | 22.28-22.64 | 0.84 | 19.10 | 18.00 | 52.5-55.5 | 75.50 |
| 110636130 | 1 1/8 x 1/2 | 28.65-29.04 | 1.00 | 23.10 | 13.00 | 43.0-44.0 | 83.00 |

Adapter CxMPT - 2



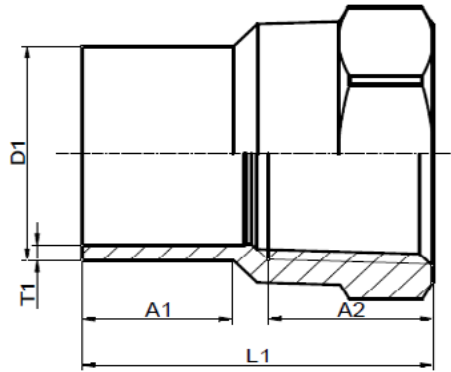
| CB Item | OD x NPT Size (in) | D1 (mm) | T1 (Min.) (mm) | A1 (Min.) (mm) | A2 (Min.) (mm) | L1 (mm) | Approx. Net WT. (g) |
|-----------|--------------------|---------------|----------------|----------------|----------------|------------|---------------------|
| 110636107 | 1 1/8 x 3/4 | 28.65-29.04 | 1.02 | 23.10 | 16.00 | 43.0-45.0 | 74.50 |
| 110636112 | 1 1/8 x 1 | 28.65-29.04 | 1.02 | 23.10 | 18.00 | 40.0-42.0 | 68.50 |
| 110636114 | 1 1/8 x 1 1 | 28.65-29.04 | 1.02 | 23.10 | 19.00 | 51.0-53.0 | 151.00 |
| 110636133 | 1 1/8 x 1 1 | 28.65-29.04 | 1.00 | 23.10 | 18.00 | 56.0-59.0 | 98.00 |
| 110636167 | 1 3/8 x 3/4 | 35.00-35.43 | 1.10 | 24.60 | 16.00 | 52.0-55.0 | 81.70 |
| 110636149 | 1 3/8 x 1 | 35.00-35.15 | 1.12 | 24.60 | 19.00 | 46.5-48.0 | 90.00 |
| 110636152 | 1 3/8 x 1 1/4 | 35.00-35.15 | 1.12 | 24.60 | 18.50 | 41.5-44.5 | 119.00 |
| 110636153 | 1 3/8 x 1 1/2 | 35.00-35.43 | 1.10 | 24.60 | 19.00 | 53.0-56.0 | 160.70 |
| 110636161 | 1 5/8 x 1 | 41.35-41.81 | 1.30 | 27.70 | 18.00 | 53.5-55.5 | 127.80 |
| 110636163 | 1 5/8 x 1 1/4 | 41.35-41.81 | 1.25 | 27.70 | 17.00 | 49.0-51.0 | 116.70 |
| 110636164 | 1 5/8 x 1 1/2 | 41.35-41.53 | 1.30 | 27.70 | 21.00 | 48.0-51.0 | 154.00 |
| 110636165 | 1 5/8 x 2 | 41.35-41.81 | 1.30 | 27.70 | 19.00 | 62.5-65.5 | 264.40 |
| 110636253 | 2 1/8 x 1 1/4 | 54.05-54.53 | 1.50 | 34.00 | 18.00 | 61.0-63.5 | 210.00 |
| 110636020 | 2 1/8 x 2 | 54.05-54.25 | 1.50 | 34.00 | 21.00 | 55.5-58.0 | 212.50 |
| 110636025 | 2 5/8 x 2 1/2 | 66.75-67.00 | 1.70 | 37.30 | 28.60 | 68.5-70.5 | 385.00 |
| 110636030 | 3 1/8 x 3 | 79.45-79.7 | 1.80 | 42.20 | 30.00 | 71.0-74.0 | 582.50 |
| 110636040 | 4 1/8 x 4 | 104.85-105.65 | 2.40 | 54.90 | 32.50 | 98.5-101.5 | 1155.00 |

Adapter FTGxMIP



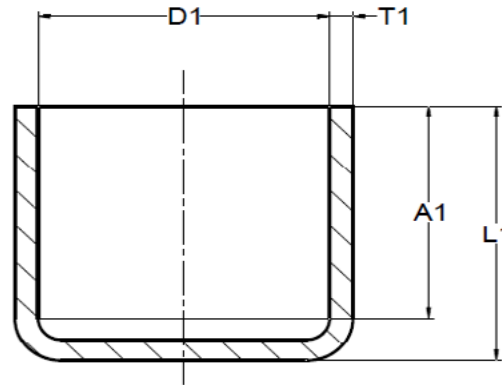
| CB Item | OD x MIP Size (in) | D1 (mm) | T1 (Min.) (mm) | A1 (Min.) (mm) | A2 (Min.) (mm) | L1 (mm) | Approx. Net WT. (g) |
|-----------|--------------------|-------------|----------------|----------------|----------------|-----------|---------------------|
| 110634085 | 5/8 x 1/2 | 15.62-15.90 | 0.70 | 14.20 | 12.50 | 36.0-39.0 | 14.00 |
| 110634095 | 7/8 x 1/2 | 21.89-22.25 | 0.84 | 20.60 | 12.50 | 44.2-44.7 | 40.20 |
| 110634102 | 7/8 x 3/4 | 21.89-22.25 | 0.80 | 20.60 | 14.00 | 46.0-49.0 | 18.50 |
| 110634131 | 1 1/8 x 3/4 | 28.55-28.63 | 1.05 | 24.60 | 14.00 | 48.0-48.5 | 75.70 |
| 110634137 | 1 1/8 x 1 | 28.24-28.63 | 0.95 | 24.60 | 18.00 | 54.5-56.5 | 16.00 |
| 110634012 | 1 3/8 | 34.83-34.98 | 1.12 | 26.20 | 19.00 | 52.5-54.5 | 144.70 |
| 110634015 | 1 5/8 x 1 1/2 | 41.15-41.33 | 1.30 | 29.50 | 21.00 | 64.0-67.0 | 179.70 |
| 110634020 | 2 1/8 x 2 | 53.55-54.03 | 1.50 | 35.80 | 22.00 | 72.0-75.0 | 252.00 |

Adapter FTGxFIP



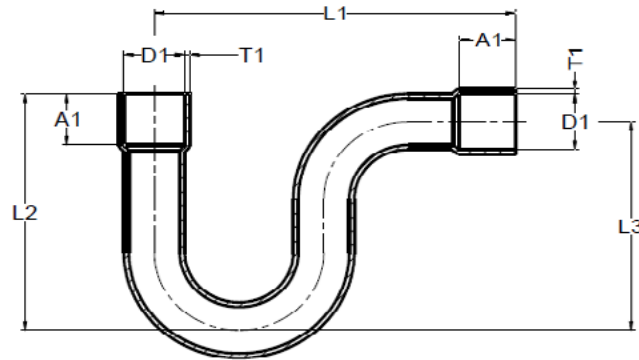
| CB Item | OD x FIP Size (in) | D1 (mm) | T1 (Min.) (mm) | A1 (Min.) (mm) | A2 (Min.) (mm) | L1 (mm) | Approx. Net WT. (g) |
|-----------|--------------------|-------------|----------------|----------------|----------------|-----------|---------------------|
| 110638002 | 3/8 x 3/8 | 9.31-9.55 | 0.60 | 9.70 | 7.50 | 22.5-24.5 | 14.40 |
| 110638074 | 5/8 x 3/8 | 15.62-15.90 | 0.74 | 14.20 | 11.00 | 26.5-28.5 | 22.40 |
| 110638005 | 5/8 x 1/2 | 15.62-15.90 | 0.74 | 14.20 | 14.00 | 34.5-37.0 | 29.00 |
| 110638095 | 7/8 x 1/2 | 21.89-22.25 | 0.84 | 20.60 | 14.00 | 33.8-35.3 | 44.00 |
| 110638007 | 7/8 x 3/4 | 22.13-22.25 | 0.84 | 20.60 | 16.00 | 43.0-46.0 | 48.00 |
| 110638010 | 1 1/8 x 1 | 28.24-28.63 | 1.02 | 24.60 | 18.00 | 48.5-52.0 | 88.00 |
| 110638012 | 1 3/8 x 1 1/4 | 34.55-34.98 | 1.05 | 26.20 | 19.00 | 52.5-54.5 | 119.00 |
| 110638015 | 1 5/8 x 1 1/2 | 40.87-41.33 | 1.30 | 29.50 | 21.00 | 58.0-60.0 | 188.00 |
| 110638020 | 2 1/8 x 2 | 53.55-54.03 | 1.35 | 35.80 | 21.00 | 66.0-69.0 | 250.50 |

Cap



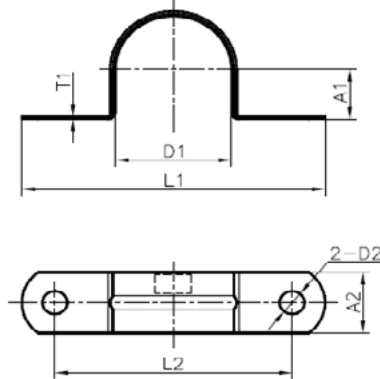
| CB Item | OD Size (in) | D1 (mm) | T1 (Min.) (mm) | A1 (Min.) (mm) | L1 (mm) | Approx. Net WT. (g) |
|-----------|--------------|---------------|----------------|----------------|-------------|---------------------|
| 110647000 | 1/4 | 6.40-6.51 | 0.48 | 6.40 | 7.00-9.00 | 1.30 |
| 110647002 | 3/8 | 9.58-9.82 | 0.58 | 7.90 | 9.00-11.00 | 2.50 |
| 110647004 | 1/2 | 12.75-13.03 | 0.62 | 9.70 | 10.00-12.00 | 5.00 |
| 110647005 | 5/8 | 15.93-16.21 | 0.70 | 12.70 | 13.50-15.50 | 7.00 |
| 110647006 | 3/4 | 19.10-19.38 | 0.75 | 15.70 | 17.00-19.50 | 11.50 |
| 110647007 | 7/8 | 22.28-22.64 | 0.80 | 19.10 | 21.00-23.00 | 17.00 |
| 110647010 | 1 1/8 | 28.65-29.04 | 0.95 | 23.10 | 24.50-26.50 | 26.00 |
| 110647012 | 1 3/8 | 35.00-35.43 | 1.05 | 24.60 | 26.00-28.50 | 52.00 |
| 110647015 | 1 5/8 | 41.35-41.81 | 1.25 | 27.70 | 30.00-32.00 | 56.00 |
| 110647020 | 2 1/8 | 54.05-54.53 | 1.45 | 34.00 | 37.00-39.00 | 117.50 |
| 110647025 | 2 5/8 | 66.75-67.35 | 1.65 | 37.30 | 41.00-43.50 | 208.50 |
| 110647030 | 3 1/8 | 79.45-80.15 | 1.85 | 42.20 | 45.50-47.5 | 271.00 |
| 110647035 | 3 5/8 | 92.15-92.90 | 2.15 | 48.50 | 53.90-55.90 | 439.50 |
| 110647040 | 4 1/8 | 104.85-105.65 | 2.15 | 54.90 | 59.00-61.00 | 569.00 |

P-Trap CxC



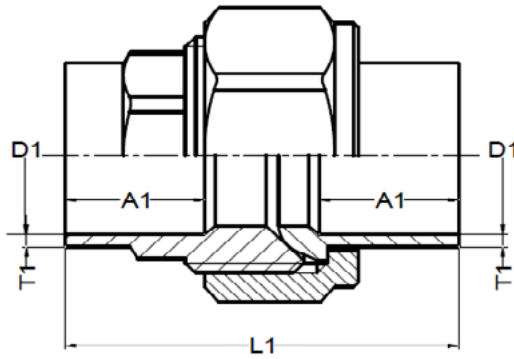
| CB Item | OD Size (in) | D1 (mm) | T1 (Min.) (mm) | A1 (Min.) (mm) | L1 (mm) | L2 (mm) | L3 (mm) | Approx. Net WT. (g) |
|-----------|--------------|-------------|----------------|----------------|-------------|-------------|-------------|---------------------|
| 110685005 | 5/8 | 15.93-16.21 | 0.85 | 12.70 | 168.5-170.5 | 156.0-158.0 | 153.0-155.0 | 197.50 |
| 110685006 | 3/4 | 19.10-19.38 | 0.90 | 15.70 | 169.5-171.0 | 161.0-163.0 | 158.5-160.5 | 239.50 |
| 110685007 | 7/8 | 22.28-22.64 | 0.95 | 19.10 | 165.5-167.0 | 163.0-166.0 | 159.0-160.5 | 319.00 |
| 110685010 | 1 1/8 | 28.65-29.04 | 1.15 | 23.10 | 169.5-171.0 | 166.5-168.5 | 156.5-158.0 | 468.00 |
| 110685012 | 1 3/8 | 35.00-35.43 | 1.30 | 24.60 | 198.0-200.0 | 174.5-176.5 | 172.0-174.0 | 613.00 |
| 110685015 | 1 5/8 | 41.35-41.81 | 1.45 | 27.70 | 252.0-253.5 | 236.0-238.0 | 240.0-242.0 | 1090.00 |
| 110685020 | 2 1/8 | 54.05-54.53 | 1.65 | 34.00 | 298.0-299.5 | 287.5-289.5 | 273.5-275.0 | 1860.00 |

Copper Tube Strap



| CB Item | OD Size (in) | D1 (mm) | D2 (mm) | T1 (Min.) (mm) | A1 (Min.) (mm) | A2 (Min.) (mm) | L1 (mm) | L2 (mm) | Approx. Net WT. (g) |
|-----------|--------------|-----------|---------|----------------|----------------|----------------|---------|---------|---------------------|
| 110693000 | 1/4 | 6.45-7.80 | 4.00 | 0.90 | 4.20 | 10.3-10.8 | 7 | 19 | 3.30 |
| 110693002 | 3/8 | 9.6-10.3 | 4.00 | 0.90 | 4.20 | 10.3-10.8 | 38.5 | 26.5 | 4.50 |
| 110693004 | 1/2 | 12.8-13.5 | 4.00 | 0.90 | 5.80 | 10.3-10.8 | 44 | 32 | 5.00 |
| 110693005 | 5/8 | 15.9-16.6 | 4.00 | 0.90 | 7.40 | 10.3-10.8 | 49 | 36 | 6.00 |
| 110693006 | 3/4 | 19.1-19.8 | 4.00 | 0.90 | 8.60 | 10.3-10.8 | 53 | 40 | 6.50 |
| 110693007 | 7/8 | 22.3-23.0 | 5.00 | 0.90 | 10.20 | 10.3-10.8 | 63 | 50 | 8.00 |
| 110693010 | 1 1/8 | 28.7-29.4 | 5.00 | 0.90 | 13.40 | 10.3-10.8 | 65 | 52 | 9.00 |
| 110693012 | 1 3/8 | 35.0-36.0 | 5.00 | 1.30 | 15.50 | 10.3-10.8 | 75 | 62 | 10.50 |
| 110693015 | 1 5/8 | 41.4-42.4 | 5.00 | 1.30 | 17.70 | 10.3-10.8 | 85.5 | 72.5 | 19.00 |
| 110693020 | 2 1/8 | 54.1-55.1 | 5.00 | 1.30 | 24.00 | 10.3-10.8 | 105 | 92 | 24.00 |

Union CxC



| CB Item | OD Size (in) | D1 (mm) | T1 (Min.) (mm) | A1 (Min.) (mm) | L1 (mm) | Approx. Net WT. (g) |
|-----------|--------------|-------------|----------------|----------------|-----------|---------------------|
| 110694002 | 3/8 | 9.58-9.82 | 0.60 | 7.90 | 24.2-25.8 | 36.40 |
| 110697004 | 1/2 | 12.75-13.03 | 0.66 | 9.70 | 28.8-29.4 | 58.80 |
| 110694005 | 5/8 | 15.93-16.21 | 0.70 | 12.70 | 34.5-35.0 | 80.00 |
| 110694007 | 7/8 | 22.28-22.64 | 0.80 | 19.10 | 46.0-47.0 | 121.00 |
| 110697010 | 1 1/8 | 28.65-29.04 | 0.95 | 23.10 | 57.0-60.0 | 220.00 |
| 110694012 | 1 3/8 | 35.00-35.43 | 1.05 | 24.60 | 58.5-61.0 | 310.50 |
| 110694015 | 1 5/8 | 41.35-41.81 | 1.25 | 27.70 | 65.0-66.5 | 442.00 |

CB Supplies established in 1962 is both a Canadian manufacturer and master distributor. Our core value is to provide exceptional customer service through each of our four regional offices with:

- High-quality products that meet changing market demands
- Competitive market pricing
- High-fill rates and prompt deliveries

We continually support our core value with long-term investment in our people, facilities, product, and our industry associations.

We provide a wide range of plumbing, hydronics, and HVACR solutions, including our branded products: VIPERT™ Potable and Radiant Tubing, LYNX-PEX™ Water Service Tubing, MECHPRESS Carbon Steel Press Fittings, Diamondback® (CSST) Flexible Gas Piping, and American Granby Products.



"At CB Supplies we proudly manufacture top quality PEX & PE-RT tubing in Canada and distribute a wide range of great products, but it is our dedication to service that sets us apart. Knowledgeable staff, accurate & on-time shipping, and strong local inventory levels allow us to provide a level of service that makes CB Supplies a critical partner in the supply chain for our wholesale customers and contractors."

– Warren Lowe, President, CB Supplies Ltd.

Explore our extensive selection of products designed to meet your Refrigeration project needs, including:



Copper Tubing



ACR Valves



Insulated ACR Tubing Coils




Cushion Clamps




Vibration Absorbers

Contact Us

 cbsupplies.ca


 salesinfo@cbsupplies.ca

British Columbia

 604-535-5088

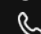
 sales.bc@cbsupplies.ca

Alberta & Mid-West

 403-258-3331


 sales.ab@cbsupplies.ca

Ontario

 905-629-4242

 sales.on@cbsupplies.ca

Quebec & Atlantic

 450-687-7842

 sales.qc@cbsupplies.ca