

MATERIAL SPECIFICATION SHEET

Dielectric Unions



Designed to separate dissimilar metals in plumbing systems, these unions effectively prevent galvanic corrosion by acting as a protective barrier between the metals. This crucial function ensures the longevity and reliability of the piping system, safeguarding against the damaging effects of galvanic and stray current.

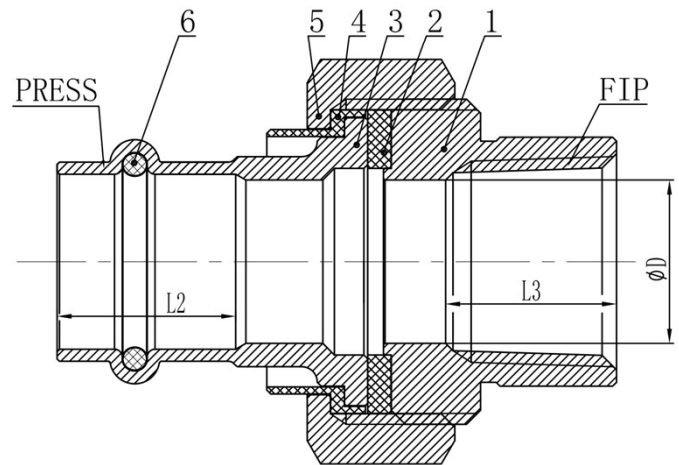
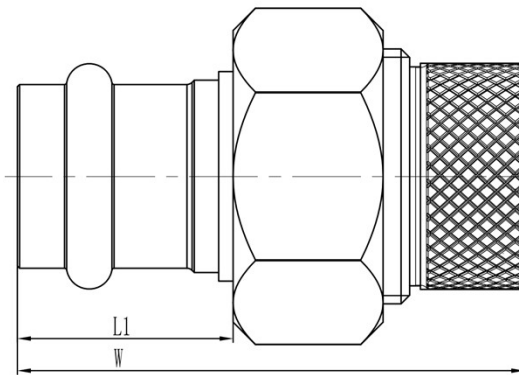
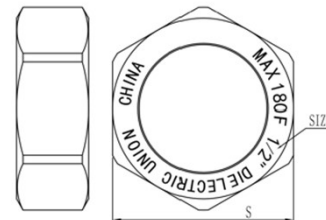
- Available in ½" through 2"
- For use with copper, brass, and iron pipes for oil, gas, water, and air lines
- Precision-manufactured tapered pipe threads
- Meets NSF/ANSI/CAN 372 standards for lead-free fittings



Material List

No.	Name	Material	Qty
1	Body	Lead Free Brass	1
2	Seat	PTFE	2
3	Ball	Stainless Steel	1
4	Packing	PTFE	1
5	O-Ring	NBR	1
6	Packing Nut	Brass	1

Nut



Dielectric Unions | Part # | Size

Part #	Size (Inches)	DN (mm)	W (mm)	L1 (mm)	L2 (mm)	L3 (mm)	S
100288005	½"	15	62.9	29.2	18	15.4	40
100288007	¾"	21	72	32.2	23	21	46
100288010	1"	28	76.5	32	23.5	25	54
100288012	1-¼"	32	82.5	31.5	26	28	63
100288015	1-½"	42	87.5	36	36	30	74
100288020	2"	53	102	46.5	45	32	88